



# YAMAHA

## PARTS LIST

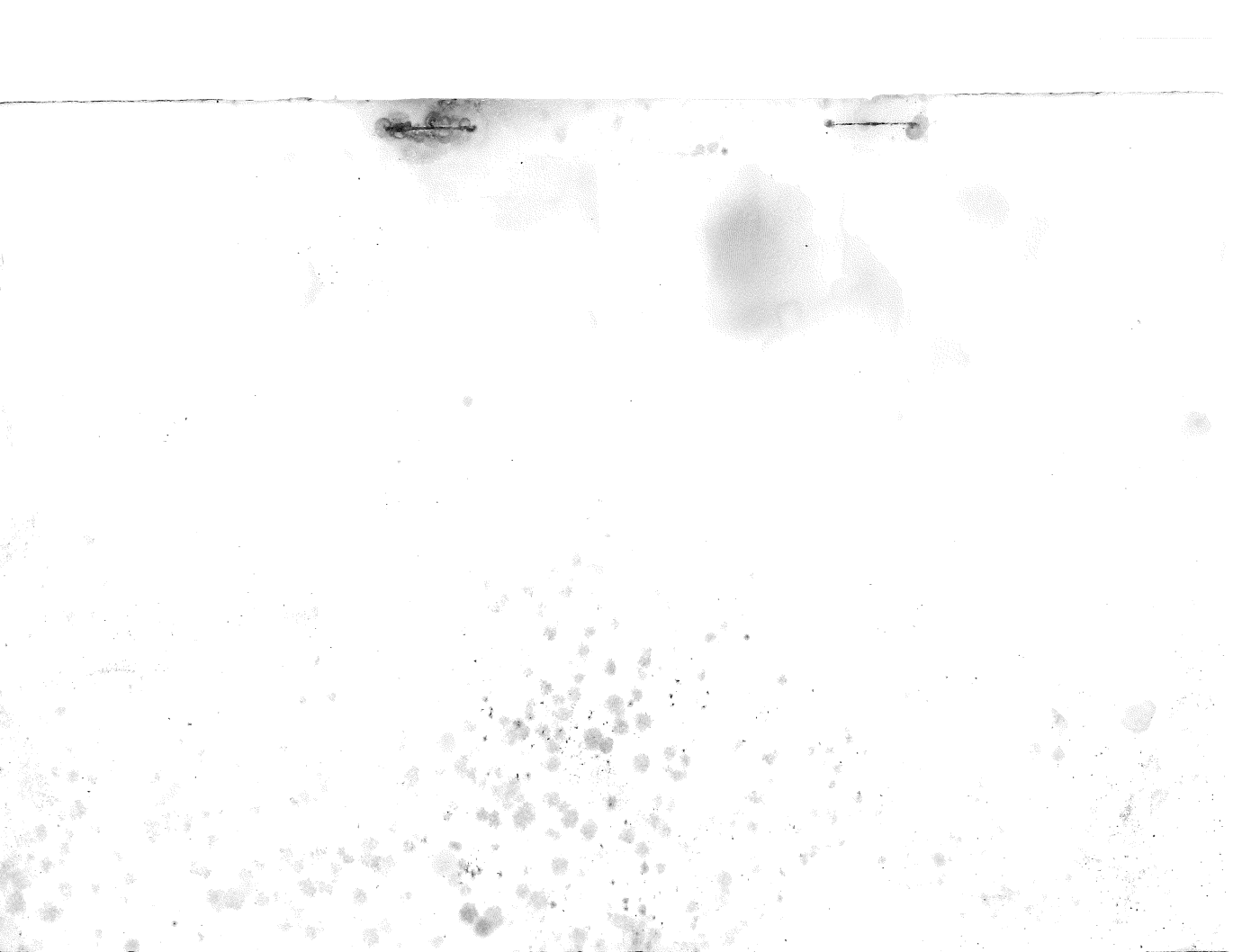
MODEL **FS1K** ('74)  
(TYPE 381)

MODEL **FS1H** ('74)  
(TYPE 380)

MODEL **FS1N** ('74)  
(TYPE 473)

FOR EUROPE

YAMAHA MOTOR CO. LTD.



# YAMAHA

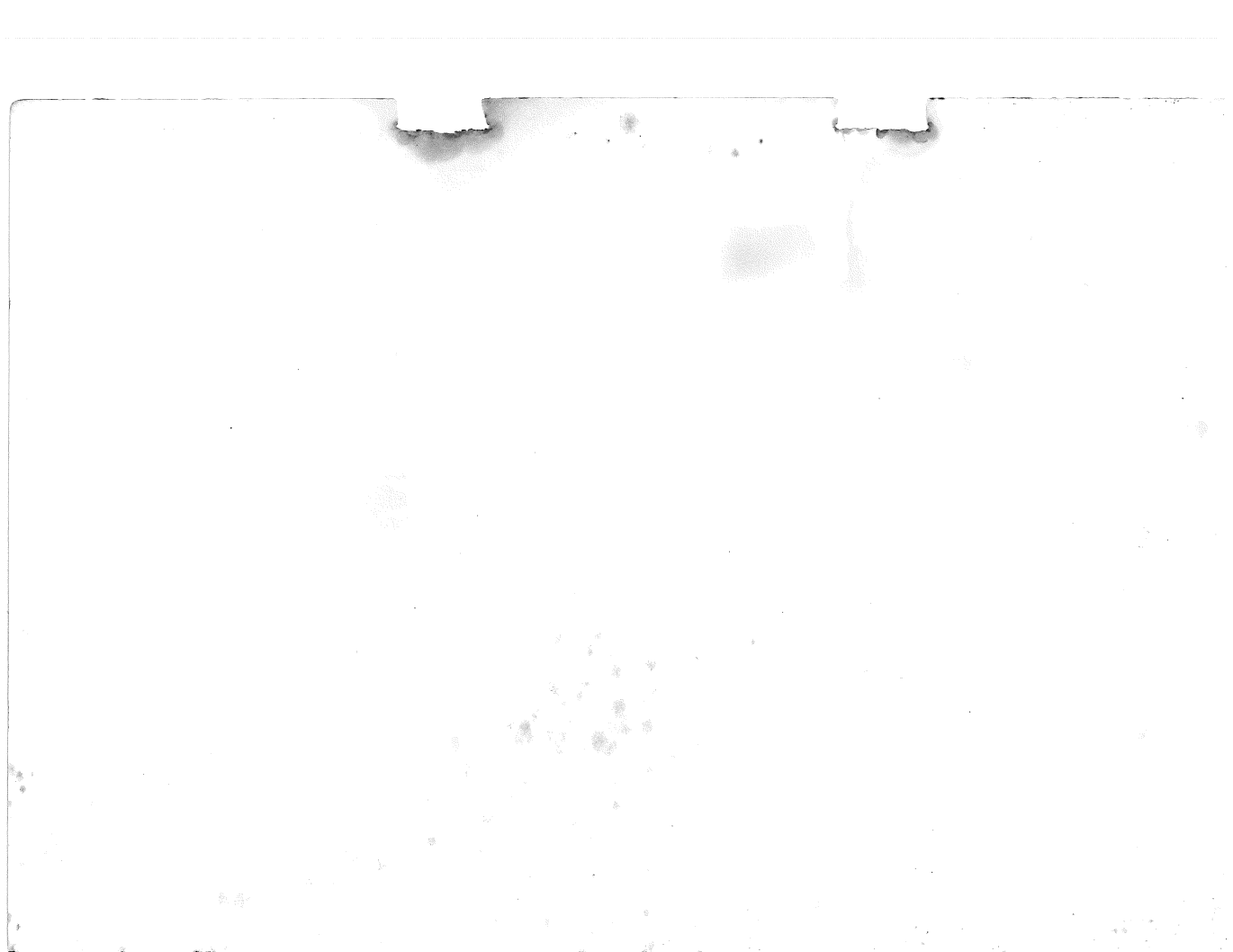
## PARTS LIST

MODEL FS1K ('74)  
(TYPE 381)

MODEL FS1H ('74)  
(TYPE 380)

MODEL FS1N ('74)  
(TYPE 473)

FOR EUROPE



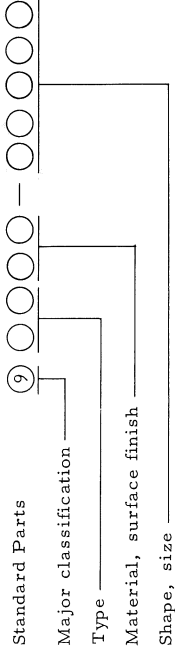
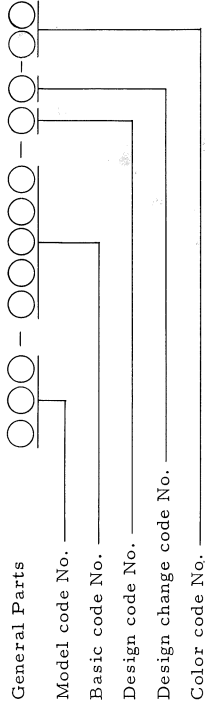


## FOREWORD

This Parts List related to the parts in use for the YAMAHA FSIK/FSIH/FSIN. When you ordering replacement parts for the FSIK/FSIH/FSIN, refer to this Parts List and write both part numbers and part names correctly.

1. Structure of Part No.

Yamaha parts are divided largely into two categories; general parts and standard parts, and each part No. has the following structure:



Note: Every standard No. begins with 9.

2. How to Use this Parts List

- (1) Except for steel balls (whose size is indicated in inches), the size of all parts is indicated in millimeters in the following manner.

Pipe (rubber or vinyl) . . . . Inside diameter - length

O-ring . . . . . Section area - inside diameter

Washer, shim, collar . . . . Inside diameter - outside diameter - thickness (length)

- (2) Parts, which are to be supplied in the form of assemblies, are listed with an indentation of one letter's space, and a dot (.) is put

against the name of each part. If any two different assemblies (e. g., right and left side components) consist of almost the same type components, these two assemblies are listed in two lines, and then the names of component parts are listed in the subsequent lines with an indentation as mentioned earlier. The quantity of parts is given in the following manner; that is, in the case of parts being the same in type between the right and left, a total quantity of parts is given. On the other hand, if the right and left side parts are different in type, the quantity of part(s) on each side is given.

Example

Description	Q'ty
CARBURETOR ASS'Y, left	1
CARBURETOR ASS'Y, right	1
. JET, pilot	2
. NOZZLE, main	2

·  
·  
·  
·

. LEVER, starter, left	1
. LEVER, starter, right	1

(3) Key to Symbols

U. R. ....	Use size (thickness) and/or number as required
T .....	Number of teeth in a gear
V .....	Voltage for light bulbs
S .....	"S" type oil seal or "S" type circlip
SD .....	"SD" type oil seal
SO .....	"SO" type oil seal
SW .....	"SW" type oil seal
E .....	"E" type circlip
R .....	"R" type circlip

F/No. .... Frame No. (Applicable machine No.)

- (4) The parts marked with "x" in your country column are exclusive for your country, therefore, you should place an order only those parts. Meanwhile, the other parts are common for all European countries, and then we do not mention the names of countries.
- (5) The parts marked with \* in the remark column of this list are not supplied with by Yamaha, those have to be found locally.
- (6) Please be advised that we supply you with Head Lamp Unit Ass'y, Tail Lamp Unit Ass'y and Flasher Lamp Ass'y without bulbs.
- (7) The right and left in relation to parts are determined on the basis of the rider facing toward the front.
- (8) This Parts List is based on the model in the production line on Nov. 30, 1973. Accordingly, if any modifications which have been made to parts will be announced in the Yamaha Parts News. It is advisable that according to the Yamaha Parts News, You will make necessary corrections to the Parts List on hand to keep it up-to dated.



# CONTENTS

## ENGINE

Fig. 1	Crankcase · Cylinder	1
Fig. 2	Crankcase Cover	3
Fig. 3	Crank · Piston	5
Fig. 4	Clutch	7
Fig. 5	Transmission	9
Fig. 6	Shifter 1	13
Fig. 7	Shifter 2	15
Fig. 8	Kick Starter	17
Fig. 9	Intake	19
Fig. 10	Carburetor	21
Fig. 11	Exhaust	25
Fig. 12	Flywheel Magneto 1	27
Fig. 13	Flywheel Magneto 2	29

## CHASSIS

Fig. 14	Frame · Side Cover	33
Fig. 15	Rear Arm · Rear Cushion · Chain Case	35
Fig. 16	Stand · Footrest · Brake Pedal	37
Fig. 17	Front Fender · Rear Fender	39
Fig. 18	Front Fork	41
Fig. 19	Steering	45
Fig. 20	Handle · Wire	47
Fig. 21	Fuel Tank	51
Fig. 22	Seat	53
Fig. 23	Front Wheel	55
Fig. 24	Rear Wheel	59
Fig. 25	Head Lamp 1	65
Fig. 26	Head Lamp 2	67
Fig. 27	Speedometer	69

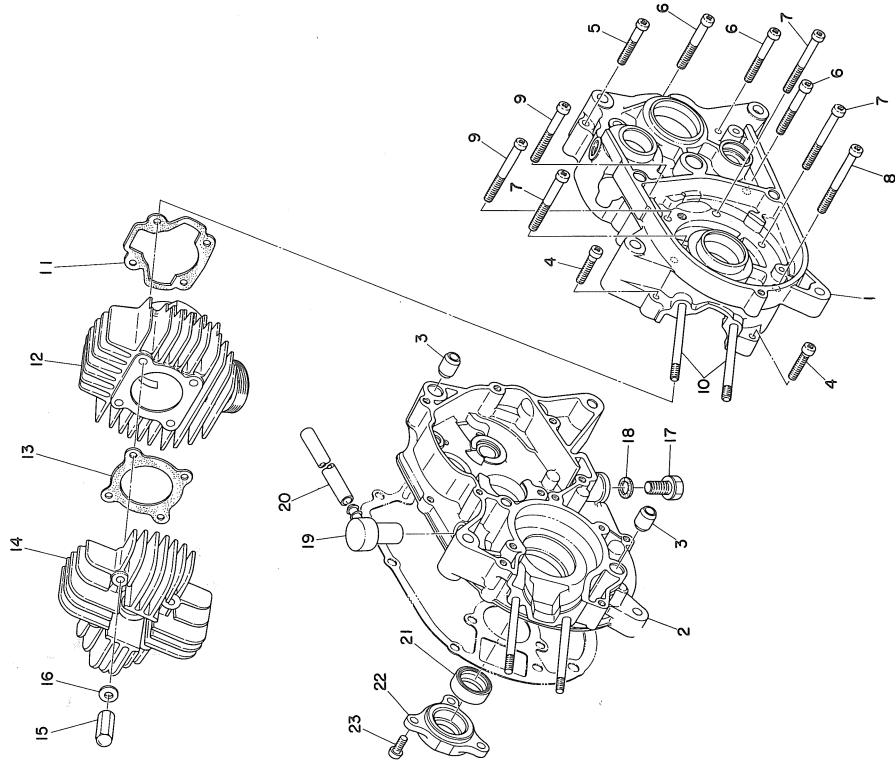
Fig. 28	Tail Lamp .....	71
Fig. 29	Flasher Lamp .....	73
Fig. 30	Electrical .....	75

## NUMERICAL INDEX

**ENGINE**



Fig. 1 CRANKCASE · CYLINDER

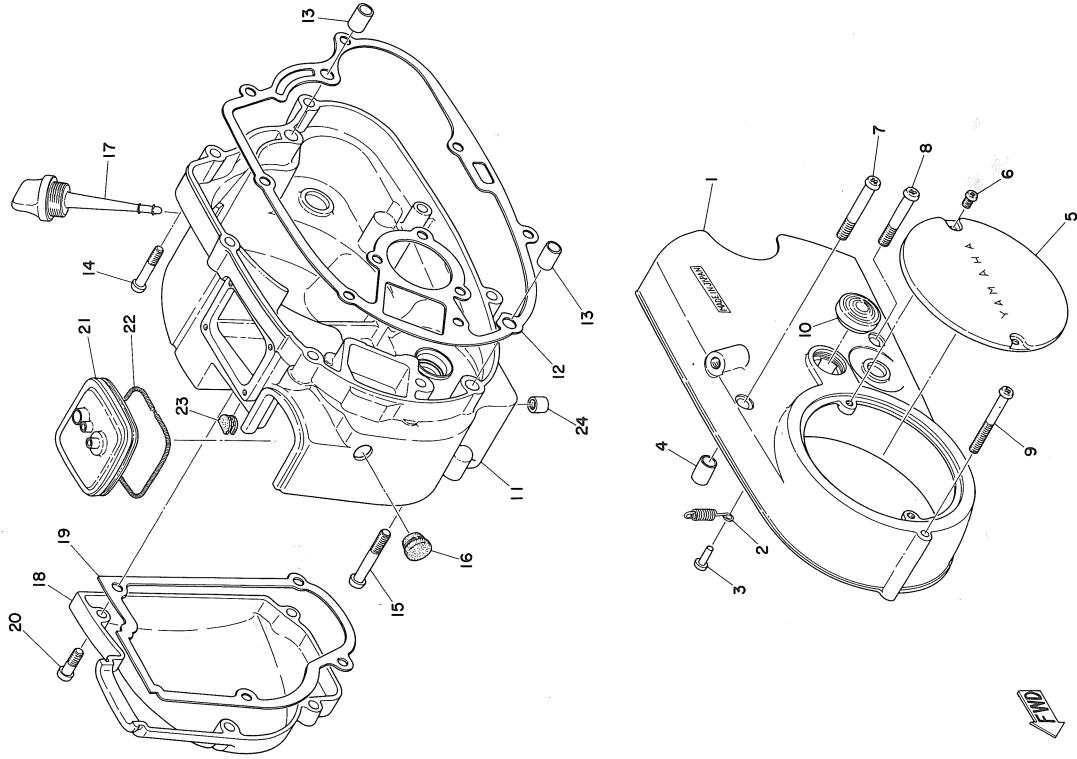




# CRANKCASE · CYLINDER

Ref. No.	Parts No.	Description	Q'ty	Remarks
1- 1	257-15111-01	CASE, crank left	1	
1- 2	378-15121-60	CASE, crank right	1	
1- 3	91810-05016	PIN, dowel (8.4-12-16)	2	
1- 4	92501-06030	SCREW, panhead	2	
1- 5	92501-06045	SCREW, panhead	1	
1- 6	92501-06050	SCREW, panhead	3	
1- 7	92501-06060	SCREW, panhead	3	
1- 8	92501-06065	SCREW, panhead	1	
1- 9	92501-06055	SCREW, panhead	2	
1-10	109-11361-00	BOLT, cylinder holding	4	
1-11	109-11351-00	GASKET, cylinder	1	
1-12	257-11311-00	CYLINDER	1	
	378-11311-60	CYLINDER	1	
	381-11311-60	CYLINDER	1	
1-13	102-11181-01	GASKET, cylinder head	1	
	378-11181-60	GASKET, cylinder head	1	
	381-11181-60	GASKET, cylinder head	1	
1-14	257-11111-01-94	HEAD, cylinder	1	
1-15	126-11171-60	NUT, cylinder holding	4	
1-16	92901-06200	WASHER, plain	4	
1-17	132-15351-00	PLUG, drain	1	
1-18	132-15353-00	GASKET, drain plug (12.5-19-1.5)	1	
1-19	120-15371-00	BREATHER	1	
1-20	304-15373-00	PIPE, breather (5-200)	1	
1-21	93103-25078	OIL SEAL (SW-25-35-10)	1	
1-22	378-15359-60	HOUSING, oil seal	1	
1-23	92501-06015	SCREW, panhead	3	

FIG. 2 CRANKCASE COVER

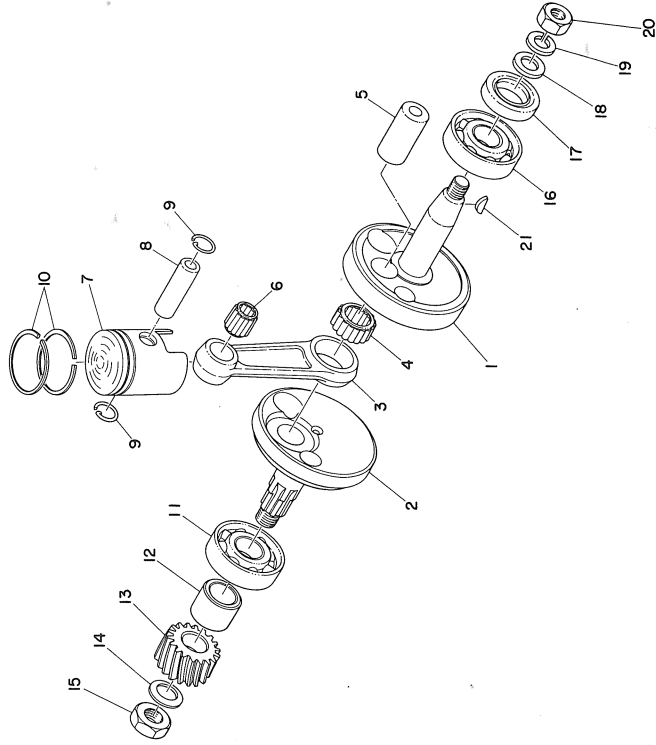


FIND

# CRANKCASE COVER

Ref. No.	Parts No.	Description	Q'ty	Applicable Machine No.	Remarks
2- 1	257-15410-01	CRANKCASE COVER ASS'Y, left	1		
2- 2	257-16345-00	. SPRING, lever return	1		
2- 3	132-16346-00	. HOOK, spring	1		
2- 4	91810-02014	PIN, dowel (6.4-10-14)	2		
2- 5	164-15415-00	COVER, generator	1		
2- 6	98501-04006	SCREW, panhead	2		
2- 7	92501-06045	SCREW, panhead	2		
2- 8	92501-06040	SCREW, panhead	1		
2- 9	92501-06050	SCREW, panhead	1		
2-10	257-15417-01	COVER, cap	1		
2-11	378-15421-60	COVER, crankcase right	1		
2-12	378-15451-60	GASKET, crankcase cover	1		
2-13	91810-02014	PIN, dowel (6.4-10-14)	2		
2-14	92501-06030	SCREW, panhead	6		
2-15	92501-06040	SCREW, panhead	1		
2-16	122-15486-00	GROMMET	1		
2-17	315-15362-01	PLUG, oil level	1		
2-18	257-15413-00	COVER, carburetor	1		
2-19	257-15463-00	GASKET, carburetor cover	1		
2-20	92501-06018	SCREW, panhead	4		
2-21	288-14481-01	CAP, carburetor	1		
2-22	288-14455-00	BAND	1		
2-23	129-15489-10	GROMMET, pump wire	1		
2-24	257-15433-00	CLEANER, drain	1		

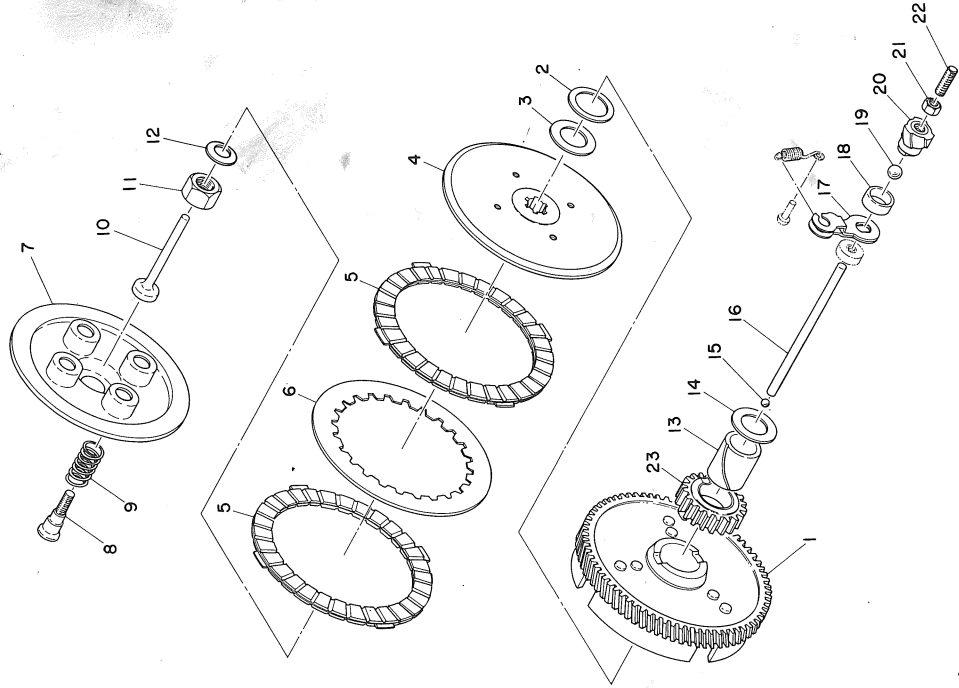
Fig. 3 CRANK · PISTON



# CRANK · PISTON

Ref. No.	Parts No.	Description	Q'ty	Applicable Machine No.	Remarks
3- 0-1	257-11400-01	CRANK ASSY	1		
3- 1	257-11412-01	CRANK, left	1		
3- 2	257-11422-00	CRANK, right	1		
3- 3	126-11651-00	ROD, connecting	1		
3- 4	93310-41810	BEARING, con-rod big end	1		
3- 5	257-11681-00	PIN, crank	1		
3- 6	93310-11268	BEARING, con-rod small end	1		
3- 7	109-11631-02-96	PISTON (39.96mm STD)	U.R		Alternate Parts
	109-11631-02-98	PISTON (39.98mm STD)	1		
	109-11635-02	PISTON (40.25mm 1st O.S)	1		Alternate Parts
	109-11636-02	PISTON (40.25mm 2nd O.S)	1		
3- 8	102-11633-01	PIN, piston	1		
3- 9	132-11634-00	CLIP, piston pin	2		
3-10	260-11601-00	PISTON RING SET (STD)	1s		Alternate Parts
	260-11601-10	PISTON RING SET (1st O.S)	1s		
	260-11601-20	PISTON RING SET (2nd O.S)	1s		Alternate Parts
3-11	93306-30302	BEARING (6303C3)	1		
3-12	378-16136-60	COLLAR, distance	1		
3-13	257-16111-00	GEAR, primary drive (19T)	1		
3-14	164-16119-00	SPRING, Belleville	1		
3-15	137-16377-00	NUT, lock	1		
3-16	93306-20412	BEARING (6204C3)	1		
3-17	93102-20009	OIL SEAL (SD-20-35-7)	1		
3-18	214-11557-01	WASHER (12.2-22-2.9)	1		
3-19	92901-12100	WASHER, spring	1		
3-20	98801-12200	NUT	1		
3-21	146-11545-00	KEY, woodruff	1		

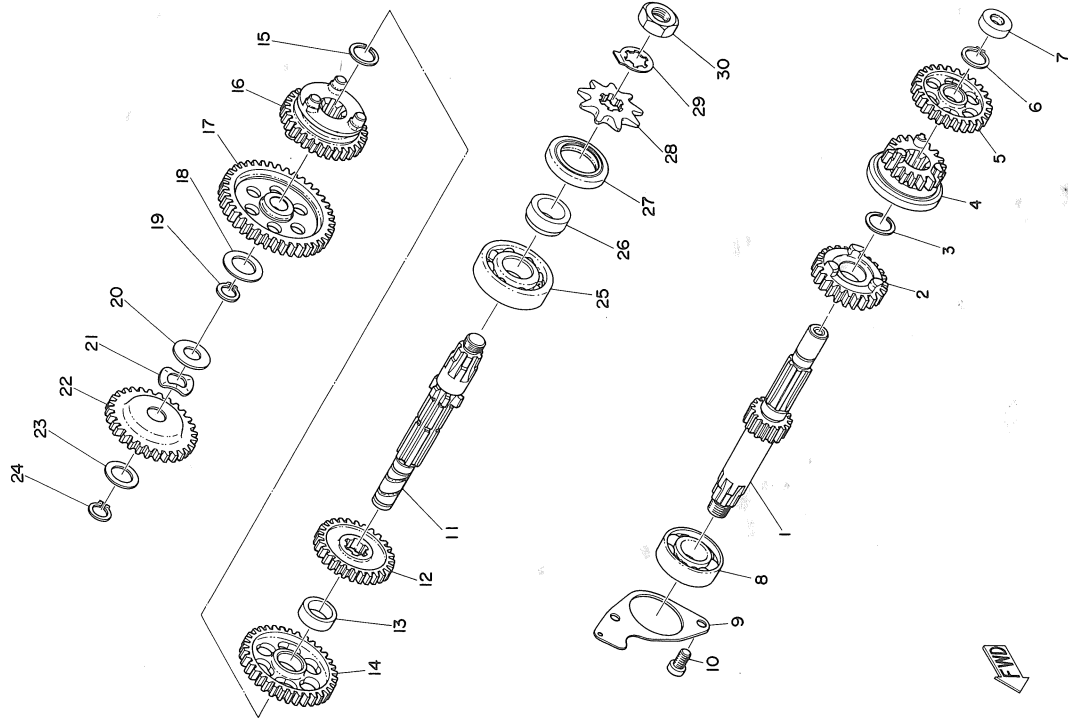
Fig. 4 CLUTCH



# CLUTCH

Ref. No.	Parts No.	Description	Q'ty	Applicable Machine No.	Remarks
4- 0-1	257-16301-01	CLUTCH ASS'Y	1		
4- 1	257-16150-01	PRIMARY DRIVEN GEAR COMP. (74T)	1		
4- 2	116-16153-00	WASHER, thrust (23-30-1-5)	1		
4- 3	122-16164-00	PLATE, thrust (17.2-30-2)	1		
4- 4	257-16371-00	BOSS, clutch	1		
4- 5	131-16321-00	PLATE, friction	2		
4- 6	257-16324-00	PLATE, clutch	1		
4- 7	257-16351-00	PLATE, préssure	1		
4- 8	137-16337-01	SCREW, spring	4		
4- 9	137-16333-00	SPRING, clutch	4		
4-10	137-16356-00	ROD, push 1	1		
4-11	137-16377-00	NUT, clutch boss	1		
4-12	164-16119-00	SPRING, Belleville	1		
4-13	257-16181-01	SPACER	1		
4-14	122-16164-00	PLATE, thrust (17.2-30-2)	1		
4-15	93503-16003	BALL (3/16 inch)	1		
4-16	257-16357-00	ROD, push 2	1		
4-17	257-16342-00	LEVER, push	1		
4-18	93108-15001	OIL SEAL (OSO-15.3-22-7)	1		
4-19	93501-04011	BALL (1/4 inch)	1		
4-20	257-16341-00	SCREW, push	1		
4-21	98801-06300	NUT	1		
4-22	257-16343-00	SCREW, adjusting	1		
4-23	254-15631-00	GEAR, kick pinion (18T)	1		

Fig. 5 TRANSMISSION



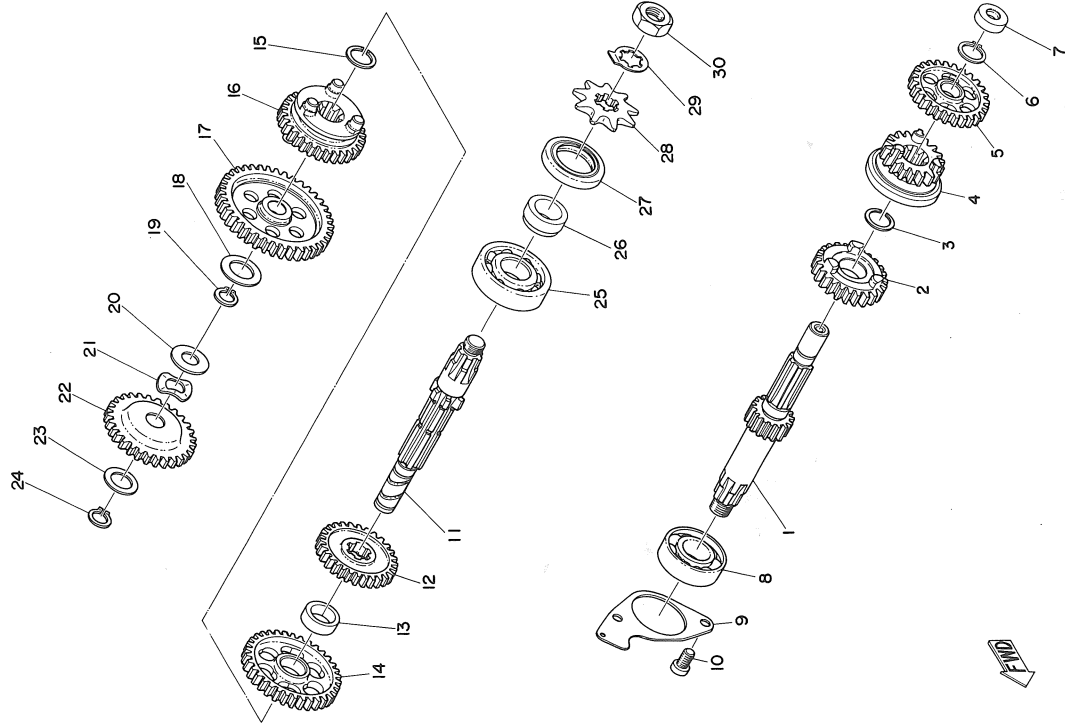
FWD



# TRANSMISSION

Ref. No.	Parts No.	Description	Qty	Remarks
5- 1	257-17411-01	AXLE, main (13T) .....	1	
5- 2	257-17131-01	GEAR, 3rd pinion (23T) .....	1	
5- 3	257-17414-00	CLIP .....	1	
5- 4	257-17121-00	GEAR, 2nd pinion (18T) .....	1	
5- 5	257-17141-00	GEAR, 4th pinion (26T) .....	1	
5- 6	93410-13004	CIRCLIP (S-13) .....	1	
5- 7	257-15389-00	SEAL, push rod (SDO-4, 8-15-5) 1		
5- 8	93306-20303	BEARING (6203Z) .....	1	
5- 9	257-17471-01	PLATE, bearing cover .....	1	
5-10	92501-06012	SCREW, panhead .....	2	
5-11	257-17421-01	AXLE, drive .....	1	
5-12	257-17241-00	GEAR, 4th wheel (27T) .....	1	
5-13	257-17258-00	COLLAR, distance .....	1	
5-14	257-17221-01	GEAR, 2nd wheel (34T) .....	1	
5-15	257-17414-00	CLIP .....	1	
5-16	257-17231-00	GEAR, 3rd wheel (30T) .....	1	
5-17	257-17211-00	GEAR, 1st wheel (40T) .....	1	
5-18	257-17219-00	SHIM (13.2-24-0.6) .....	1	
5-19	93410-13004	CIRCLIP (S-13) .....	1	
5-20	132-15653-00-10	SHIM, thrust washer (13.3-22-1.0) .....	UJR 1	
	132-15653-00-12	SHIM, thrust washer (13.3-22-1.2) .....		
	132-15653-00-14	SHIM, thrust washer (13.3-22-1.4) .....		
5-21	137-15643-00	WASHER, wave .....	1	
5-22	257-15651-01	GEAR, kick idle (28T) .....	1	
5-23	201-15653-00	WASHER, thrust (13.2-23-1)..	1	

Fig. 5 TRANSMISSION

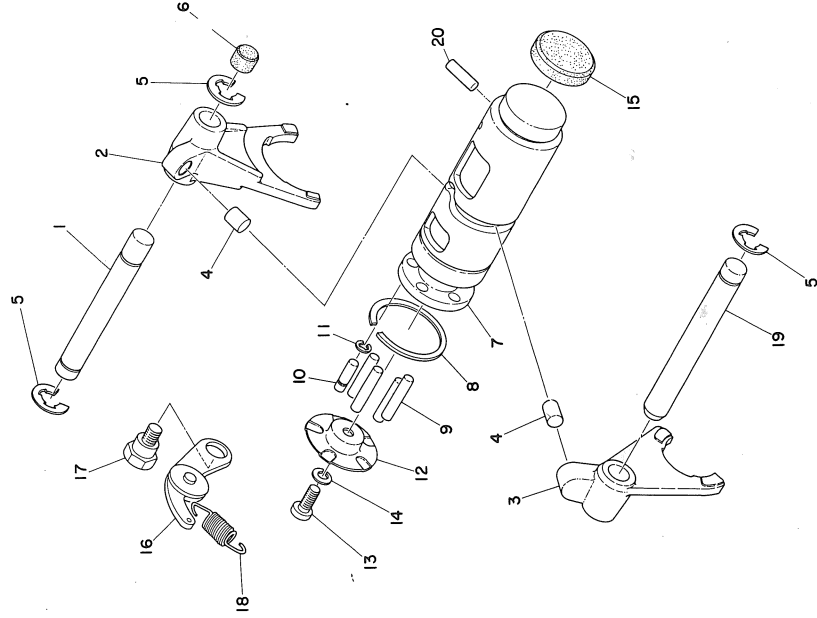


END

# TRANSMISSION

Ref. No.	Parts No.	Description	Qty	Remarks
5-24	93410-13004	CIRCLIP (S-13) .....	1	
5-25	93306-30305	BEARING (6303) .....	1	
5-26	257-17462-00	COLLAR, distance .....	1	
5-27	347-17462-00	COLLAR, distance .....	1	
5-28	93102-25017	OIL SEAL (SD-25-40-5) ....	1	
	257-17461-10	SPROCKET, drive (11T) ...	} U.R 1	
	257-17461-20	SPROCKET, drive (12T) ...		
	257-17461-30	SPROCKET, drive (13T) ...		
	347-17451-90	SPROCKET, drive (9T) .....	1	
5-29	257-17464-00	WASHER, lock .....	1	
	347-17464-00	WASHER, lock .....	1	
5-30	257-17463-00	NUT, lock .....	1	
	347-17463-00	NUT, lock .....	1	
				ENGLAND
				AUSTRIA
				NORWAY
				DENMARK
				FINLAND
				SWEDEN
				BELGIUM
				SWITZERLAND
				W. GERMANY
				HOLLAND
				FRANCE

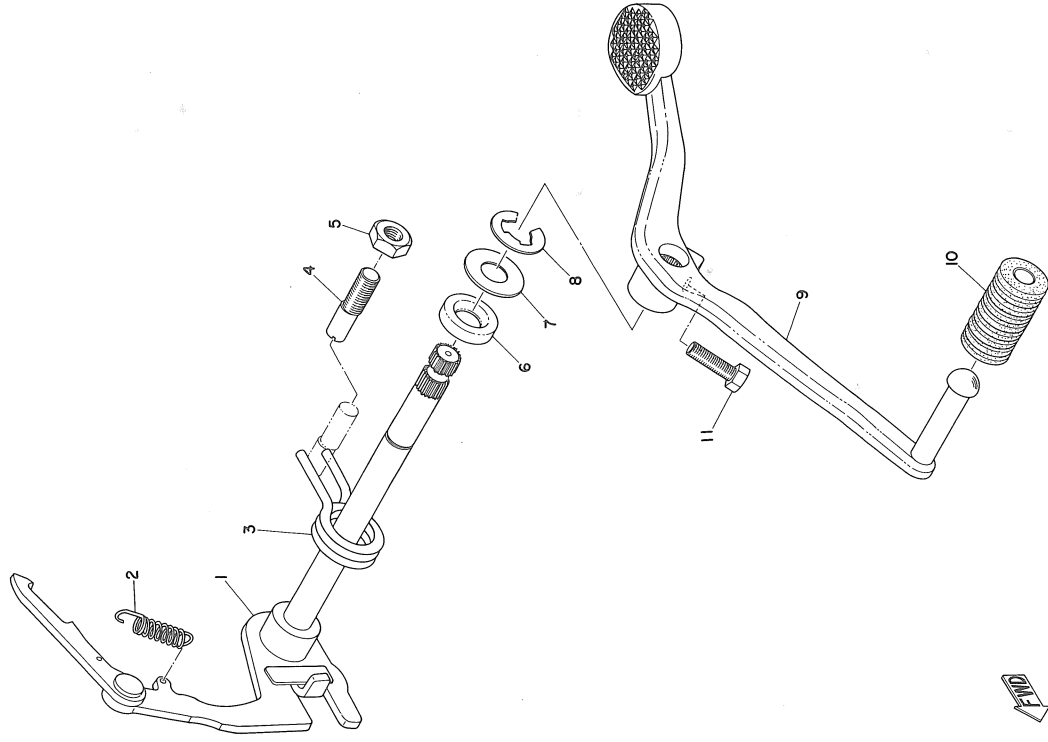
Fig. 6 SHIFTER 1



# SHIFTER 1

Ref. No.	Parts No.	Description	Q'ty	Applicable Machine No.	Remarks
6- 1	257-18534-00	BAR, shift fork guide	1		
6- 2	259-18511-01	FORK, shift 1	1		
6- 3	257-18512-01	FORK, shift 2	1		
6- 4	257-18552-00	PIN, cam follower	2		
6- 5	93430-08006	CIRCLIP (E-8)	3		
6- 6	150-18328-00	PLUG, blind	1		
6- 7	257-18541-61	CAM, shift	1		
6- 8	93440-32017	CIRCLIP (32 $\phi$ special)	1		
6- 9	93604-22050	PIN, dowel	4		
6-10	174-18544-00	PIN, locating	1		
6-11	93430-03014	CIRCLIP (E-3)	1		
6-12	164-18561-00	PLATE, side	1		
6-13	98501-05012	SCREW, panhead	1		
6-14	92901-05100	WASHER, spring	1		
6-15	257-18589-00	PLUG, blind	1		
6-16	132-18140-01	STOPPER LEVER ASSY	1		
6-17	132-18177-00	BOLT, stopper	1		
6-18	90506-09112	SPRING, tension	1		
6-19	257-18531-00	BAR, shift fork guide	1		
6-20	93605-20043	PIN, dowel	1		

Fig. 7 SHIFTER 2

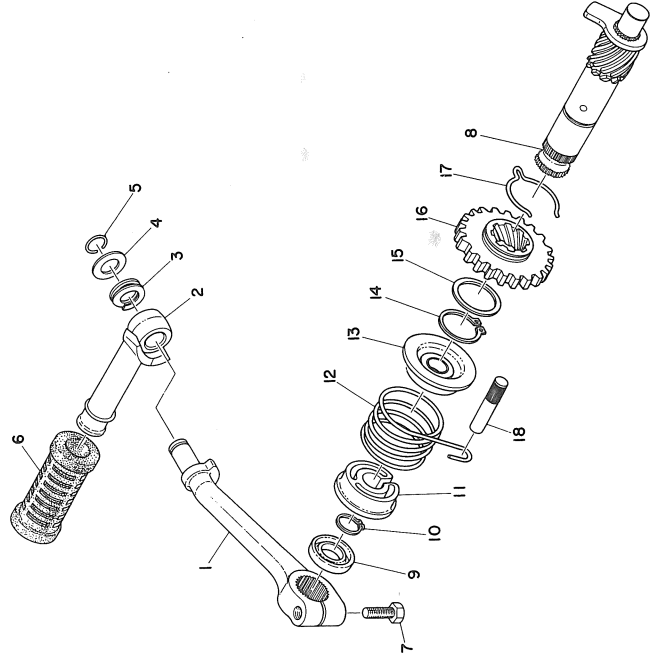


END

# SHIFTER 2

Ref. No.	Parts No.	Description	Q'ty	Applicable Machine No.	Remarks
7- 1	257-18101-01	CHANGE SHAFT ASS'Y	1		
7- 2	132-18123-00	SPRING, shift arm	1		
7- 3	132-18124-00	SPRING, shaft return	1		
7- 4	132-18133-00	SCREW, adjusting	1		
7- 5	98801-08200	NUT	1		
7- 6	93101-12004	OIL SEAL (S-12-22-5)	1		
7- 7	132-18137-00	WASHER, change axle (14. 1-28-1.6)	1		
7- 8	93430-10016	CIRCLIP (E-10)	1		
7- 9	257-18111-00-91	PEDAL, change	1		
7-10	132-18113-01	COVER, change pedal	1		
7-11	91201-06020	BOLT	1		

Fig. 8 KICK STARTER



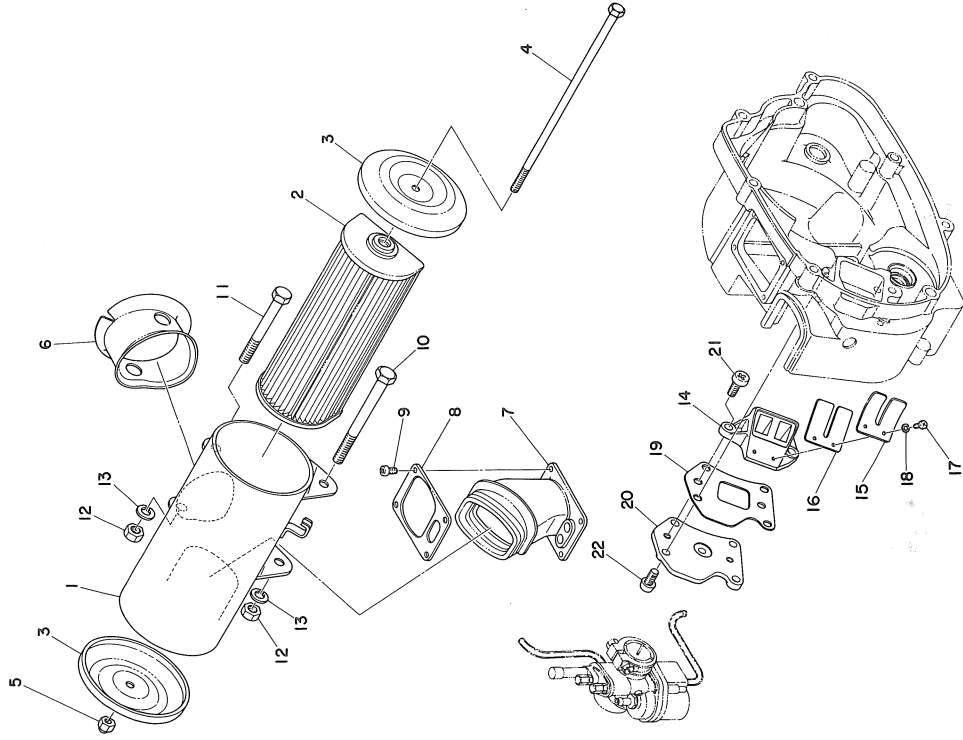
END



# KICK STARTER

Ref. No.	Parts No.	Description	Q'ty	Applicable Machine No.	Remarks
8- 0-1	257-15610-01-91	KICK CRANK ASS'Y	1		
8- 1	257-15611-00	. CRANK, kick	1		Not for sale
8- 2	122-15612-02	. LEVER, kick	1		
8- 3	132-15625-01	. SPRING, kick crank	1		
8- 4	132-15616-01	. WASHER, kick lever	1		
8- 5	132-15617-00	. CLIP, kick lever	1		
8- 6	156-15618-01	COVER, kick lever	1		
8- 7	91101-06020	BOLT	1		
8- 8	305-15660-02	KICK AXLE ASS'Y	1		
8- 9	93109-15001	OIL SEAL (SDO-15-26-6)	1		
8-10	93410-15005	CIRCLIP (S-15)	1		
8-11	132-15676-00	COVER, kick spring	1		
8-12	304-15665-00	SPRING, kick	1		
8-13	132-15664-00	GUIDE, kick spring	1		
8-14	93410-25017	CIRCLIP (S-25)	1		
8-15	117-15644-00	SHIM (25.1-32-1)	1		
8-16	305-15641-00	GEAR, kick (26T)	1		
8-17	315-15687-00	CLIP, kick	1		
8-18	257-15668-00	STOPPER, kick spring	1		

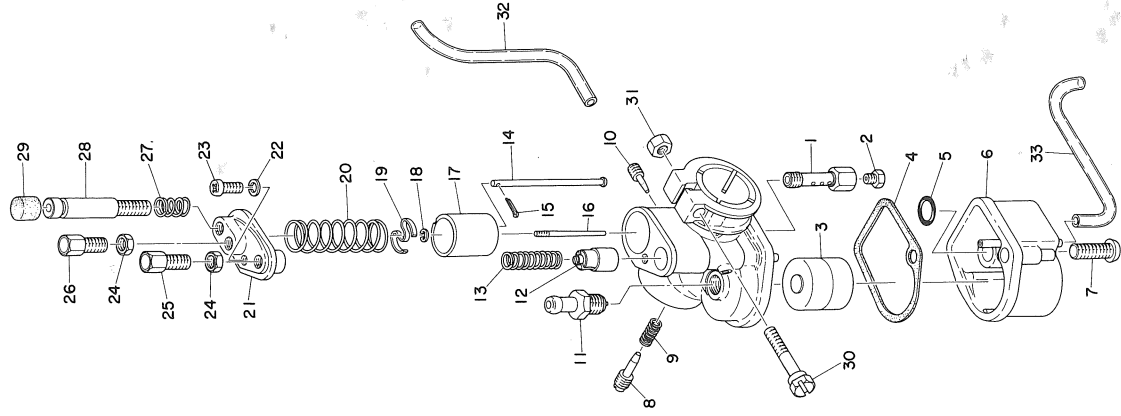
Fig.9 INTAKE



# INTAKE

Ref. No.	Parts No.	Description	Qty	FRANCE	HOLLAND	WEST GERMANY	SWITZERLAND	BELGIUM	SWEDEN	FINLAND	DENMARK	NORWAY	AUSTRIA	ENGLAND	Remarks
9- 1	257-14401-00-35	AIR CLEANER CASE ASSY . . . 1						X							Silver
9- 2	257-14451-00	ELEMENT, air cleaner . . . . . 1						X							
9- 3	122-14412-00	CAP, cleaner case . . . . . 2						X							
9- 4	91201-06187	BOLT . . . . . 1						X							
9- 5	98803-06700	NUT, crown . . . . . 1						X							
9- 6	257-14454-00	JOINT, suction pipe . . . . . 1						X							
9- 7	283-14453-00	JOINT, air cleaner . . . . . 1						X							
9- 8	257-14417-00	COVER, joint . . . . . 1						X							
9- 9	98501-04008	SCREW, panhead . . . . . 4						X							
9-10	97101-08095	BOLT . . . . . 1						X							
9-11	97101-08080	BOLT . . . . . 1						X							
9-12	98801-08100	NUT . . . . . 2						X							
9-13	92901-08100	WASHER, spring . . . . . 2						X							
9-14	378-13610-60	REED VALVE ASSY . . . . . 1						X							
9-15	314-13616-01	. STOPPER, reed valve . . . . . 1						X							
9-16	314-13613-00	. VALVE, reed . . . . . 1						X							
9-17	98512-03008	. SCREW, panhead . . . . . 2						X							
9-18	92901-03100	. WASHER, spring . . . . . 2						X							
9-19	378-13621-60	PACKING . . . . . 1						X							
9-20	378-13555-60	JOINT . . . . . 1						X							
	470-13555-60	JOINT . . . . . 1											X		
	471-13555-60	JOINT . . . . . 1												X	
9-21	92501-06015	SCREW, panhead . . . . . 2						X							
9-22	92501-06015	SCREW, panhead . . . . . 4						X							

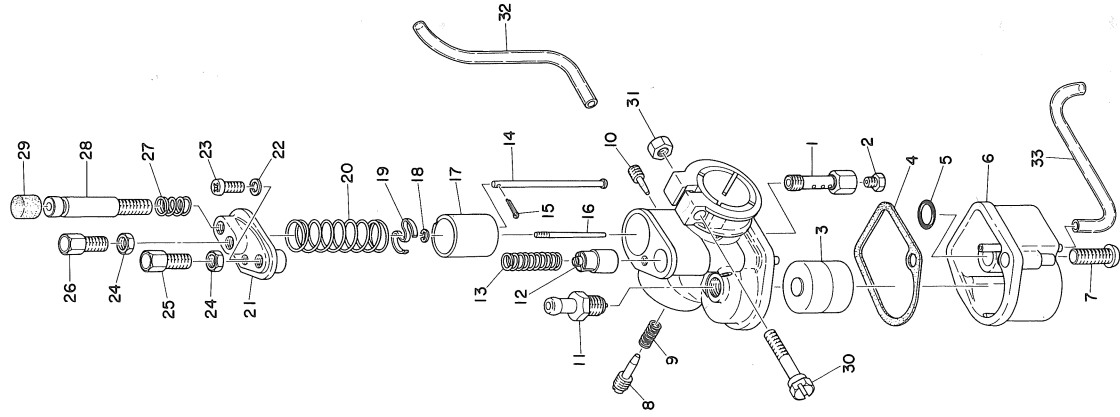
Fig. 10 CARBURETOR



# CARBURETOR

Ref. No.	Parts No.	Description	Qty	Remarks
10-0-1	468-14101-60	CARBURETOR ASS'Y	1	
	381-14101-60	CARBURETOR ASS'Y	1	
	470-14101-00	CARBURETOR ASS'Y	1	
10-1	127-14141-18	. NOZZLE, main (E-8)	1	
	127-14141-14	. NOZZLE, main (E-4)	1	
	127-14141-10	. NOZZLE, main (E-0)	1	
10-2	127-14143-20	. JET, main (#100)	1	
	127-14143-22	. JET, main (#110)	1	
	127-14143-24	. JET, main (#120)	1	
	127-14143-28	. JET, main (#140)	1	
	127-14143-30	. JET, main (#150)	1	
	127-14143-32	. JET, main (#160)	1	
	127-14143-34	. JET, main (#170)	1	
	260-14185-00	. FLOAT	1	
10-4	260-14184-00	. GASKET, float chamber	1	
10-5	93220-08002	. O-RING	1	
10-6	260-14181-00	. BODY, float chamber	1	
10-7	92501-06018	. SCREW, panhead	1	
10-8	127-14123-00	. SCREW, air adjusting	1	
10-9	127-14134-00	. SPRING, air adjusting	1	
10-10	260-14142-25	. JET, pilot (#25)	1	
10-11	260-14190-12	. VALVE SEAT ASS'Y (#1.2)	1	
10-12	127-14171-00	. PLUNGER, starter	1	
10-13	127-14135-00	. SPRING, plunger	1	
10-14	283-14114-00	. BAR, throttle	1	
	260-14114-00	. BAR, throttle	1	
10-15	91401-12010	. PIN, cotter	1	

Fig. 10 CARBURETOR





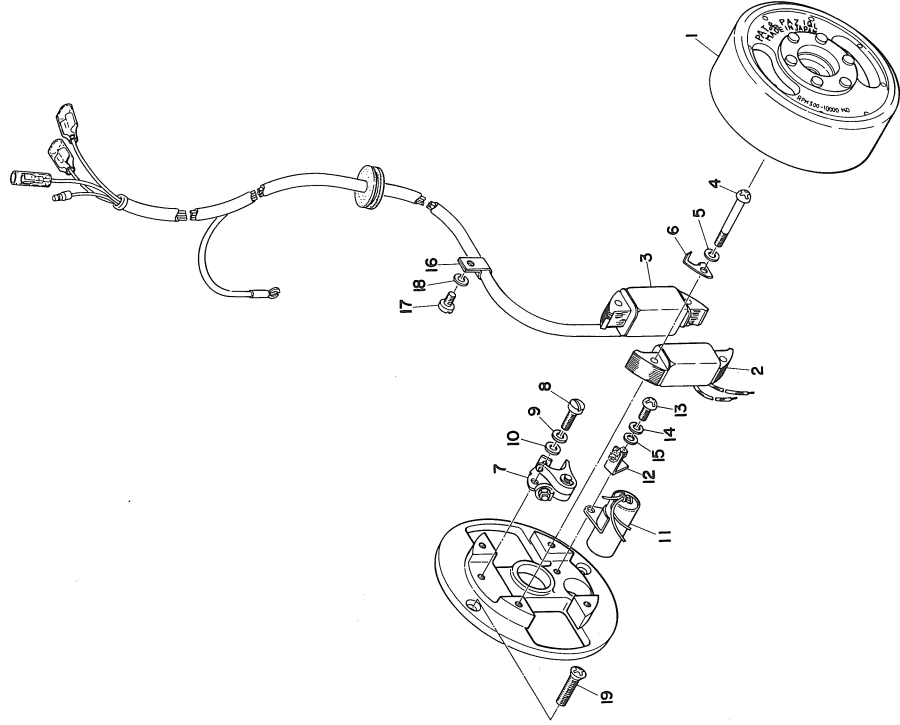




# EXHAUST

Ref. No.	Parts No.	Description	Q'ty	Remarks
11- 1	348-14611-00	PIPE, exhaust	1	
11- 2	122-14612-02	NUT, ring	1	
11- 3	132-14613-00	GASKET, exhaust	1	
11- 4	378-14710-01	MUFFLER ASSY	1	
	381-14710-00	MUFFLER ASSY	1	
11- 5	348-14753-00	. SILENCER	1	
11- 6	98801-05200	. NUT	1	
11- 7	92901-05100	. WASHER, spring	1	
11- 8	98801-08200	NUT	1	
11- 9	92901-08100	WASHER, spring	1	
11-10	109-14713-00	NUT, muffler joint	1	
11-11	109-14714-02	GASKET, muffler joint	1	
11-12	102-27114-00	STOPPER, main stand	1	
				ENGLAND
				AUSTRIA
				NORWAY
				DENMARK
				FINLAND
				SWEDEN
				BELGIUM
				SWITZERLAND
				W. GERMANY
				HOLLAND
				FRANCE

Fig. 12 FLYWHEEL MAGNETO 1

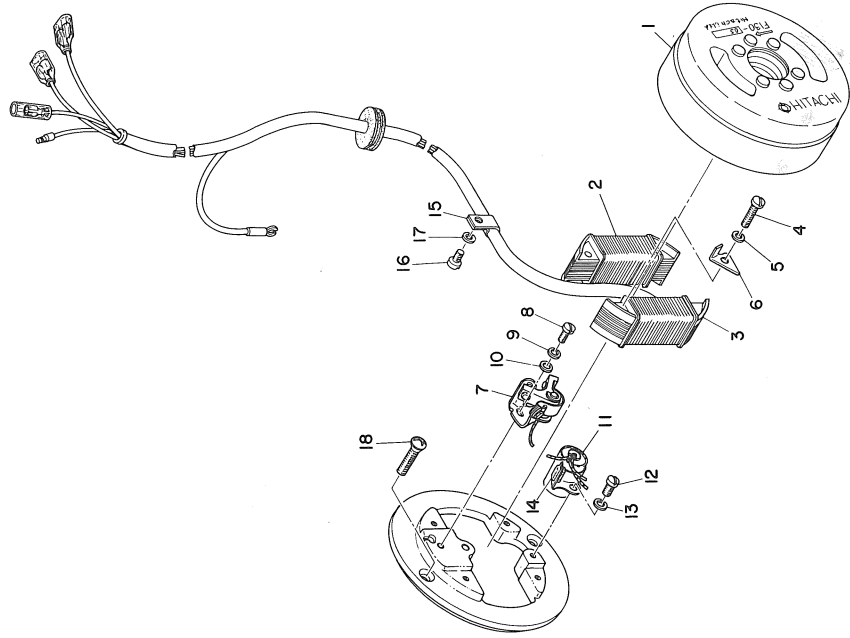


END

# FLYWHEEL MAGNETO 1

Ref. No.	Parts No.	Description	Qty	Remarks
12-0-1	257-81300-21	FLYWHEEL MAGNETO ASS'Y 1		
12-1	257-81350-21	. ROTOR ASSY .....	1	
12-2	207-81312-20	. COIL, source .....	1	
12-3	207-81313-20	. COIL, lighting .....	1	
12-4	110-81348-20	. SCREW, panhead (4-25) ...	4	
12-5	92901-04100	. WASHER, spring .....	4	
12-6	166-81332-20	. PLATE, timing .....	1	
12-7	120-81321-20	. CONTACT BREAKER ASS'Y 1		
12-8	110-81347-20	. SCREW, panhead (4-12) ...	1	
12-9	92901-04100	. WASHER, spring .....	1	
12-10	92901-04200	. WASHER, plain .....	1	
12-11	296-81325-20	. CONDENSER .....	1	
12-12	802-81331-20	. LUBRICATOR .....	1	
12-13	110-81346-20	. SCREW, panhead (4-10) ...	1	
12-14	92901-04100	. WASHER, spring .....	1	
12-15	92901-04200	. WASHER, plain .....	1	
12-16	104-81328-20	. CLAMP, lead .....	1	
12-17	165-81145-21	. SCREW, panhead (4-8) ....	1	
12-18	92901-04100	. WASHER, spring .....	1	
12-19	98701-05015	SCREW, flathead .....	2	

Fig. 13 FLYWHEEL MAGNETO 2



END

# FLYWHEEL MAGNETO 2

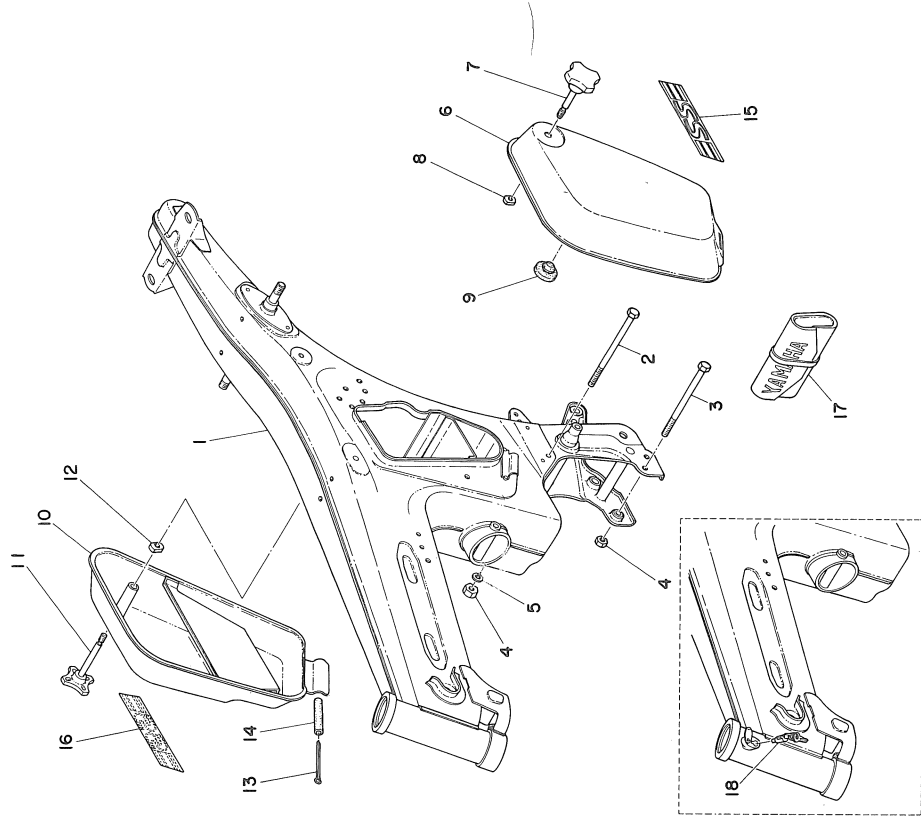
Ref. No.	Parts No.	Description	Qty	FRANCE	HOLLAND	W. GERMANY	SWITZERLAND	BELGIUM	SWEDEN	FINLAND	DENMARK	NORWAY	ENGLAND	Remarks
13- 0-1	260-81300-10	FLYWHEEL MAGNETO ASSY	1									X		
13- 1	185-81350-10	. ROTOR ASSY	..... 1									X		
13- 2	185-81312-10	. COIL, source	..... 1									X		
13- 3	185-81313-10	. COIL, lighting	..... 1									X		
13- 4	110-81348-20	. SCREW, panhead (4-25)	..... 4									X		
13- 5	92901-04100	. WASHER, spring	..... 4									X		
13- 6	185-81332-10	. PLATE, timing	..... 1									X		
13- 7	207-81321-10	. CONTACT BREAKER ASSY	1									X		
13- 8	110-81347-20	. SCREW, panhead (4-12)	... 1									X		
13- 9	92901-04100	. WASHER, spring	..... 1									X		
13-10	92901-04200	. WASHER, plain	..... 1									X		
13-11	207-81326-10	. CONDENSER	..... 1									X		
13-12	110-81346-20	. SCREW, panhead (4-10)	... 1									X		
13-13	92901-04100	. WASHER, spring	..... 1									X		
13-14	207-81331-10	. LUBRICATOR	..... 1									X		
13-15	109-81328-10	. CLAMP, lead	..... 1									X		
13-16	165-81145-21	. SCREW, panhead	..... 1									X		
13-17	92901-04100	. WASHER, spring	..... 1									X		
13-18	98701-05015	SCREW, flathead	..... 2									X		



# CHASSIS



Fig. 14 FRAME · SIDE COVER



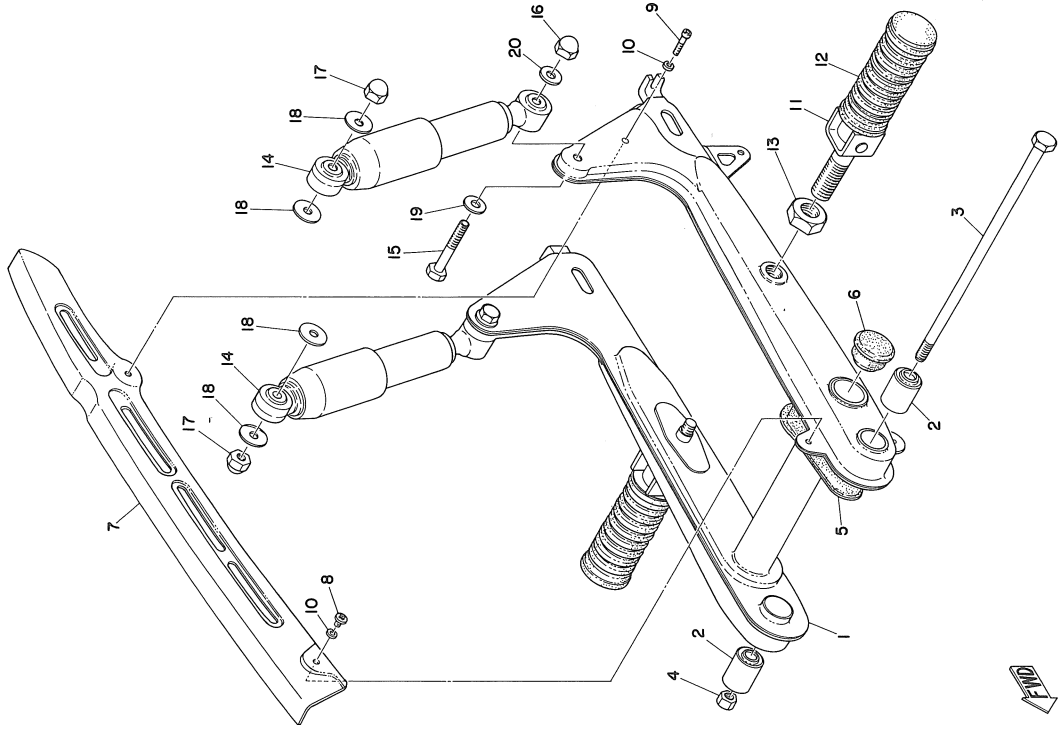
END



# FRAME · SIDE COVER

Ref. No.	Parts No.	Description	Qty	Remarks
14- 1	355-21110-00-33	FRAME COMP. ....	1	Yamaha Black
	473-21110-00-33	FRAME COMP. ....	1	Yamaha Black
14- 2	116-21483-00	BOLT, engine mounting .....	1	
14- 3	97101-08120	BOLT .....	1	
14- 4	98801-08100	NUT .....	2	
14- 5	92901-08100	WASHER, spring .....	1	
14- 6	467-21711-00-M3	COVER, side left .....	1	Beja Brown
	467-21711-00-16	COVER, side left .....	1	Metallic Cosmic Blue
	467-21711-00-R1	COVER, side left .....	1	Popcicle Purple
14- 7	122-21724-00	KNOB, side cover right ....	1	
14- 8	136-21713-00	NUT, latch clamp .....	1	
14- 9	141-21717-00	DAMPER, side cover .....	1	
14-10	394-21721-00-M3	COVER, side right .....	1	Beja Brown
	394-21721-00-16	COVER, side right .....	1	Metallic Cosmic Blue
	394-21721-00-R1	COVER, side ringt .....	1	Popcicle Purple
14-11	209-21724-00	KNOB, side cover right ....	1	
14-12	136-21713-00	NUT, latch clamp .....	1	
14-13	91401-50075	PIN, cotter .....	1	
14-14	283-21717-00	DAMPER, sdie cover .....	1	
14-15	467-21786-00	EMBLEM .....	1	
14-16	467-21787-00	EMBLEM .....	1	
14-17	207-28100-10	TOOL ASSY .....	1	
14-18	169-23480-10	STEERING LOCK ASSY ....	1	*
				ENGLAND
				AUSTRIA
				NORWAY
				DENMARK
				FINLAND
				SWEDEN
				BELGIUM
				SWITZERLAND
				W. GERMANY
				HOLLAND
				FRANCE

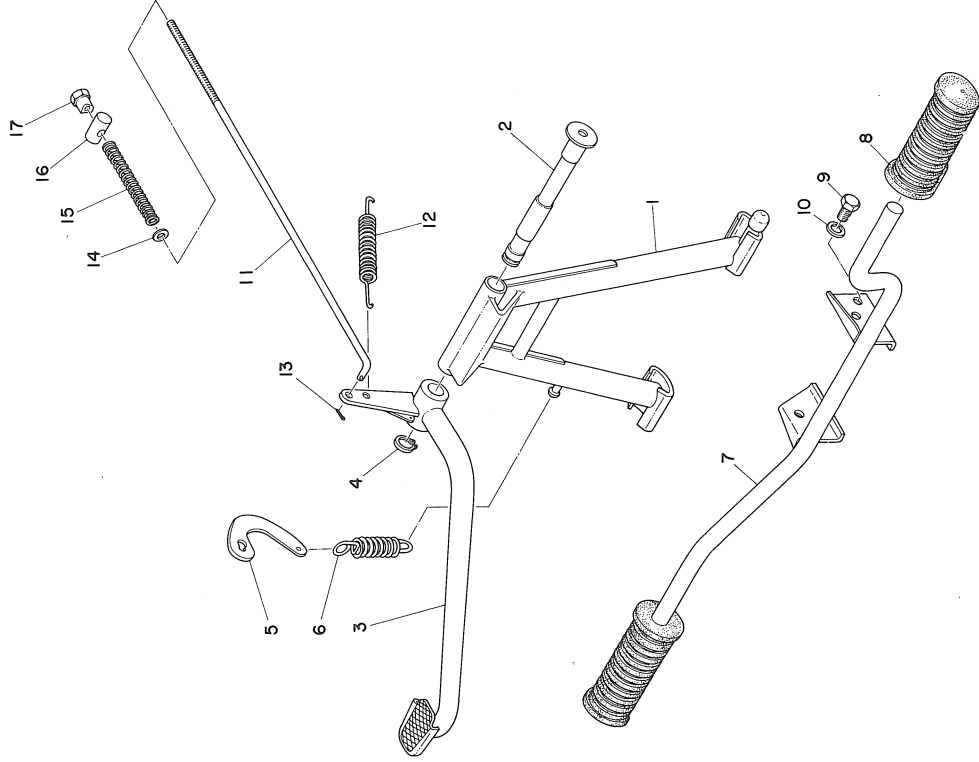
Fig. 15 REAR ARM · REAR CUSHION · CHAIN CASE



# REAR ARM · REAR CUSHION · CHAIN CASE

Ref. No.	Parts No.	Description	Q'ty	Remarks
15- 1	220-22110-00-33	REAR ARM COMP. ....	1	Yamaha Black
15- 2	102-22123-00	BUSHING, rear arm .....	2	
15- 3	109-22141-00	SHAFT, pivot .....	1	
15- 4	98801-10100	NUT .....	1	
15- 5	122-22151-00	SEAL, guard .....	1	
15- 6	180-22117-00	CAP, rear arm .....	1	
15- 7	260-22311-00-35	CHAIN CASE, half .....	1	
15- 8	98501-05008	SCREW, panhead .....	1	Silver
15- 9	98501-05020	SCREW, panhead .....	1	
15-10	92901-05100	WASHER, spring .....	2	
15-11	120-27430-02	REAR FOOTREST ASS'Y ....	2	
15-12	120-27433-00	. COVER, rear footrest ....	2	
15-13	206-27436-00	NUT, rear footrest .....	2	
15-14	260-22210-40-M3	REAR CUSHION ASS'Y .....	2	
	260-22210-40-16	REAR CUSHION ASS'Y .....	2	
	260-22210-40-R1	REAR CUSHION ASS'Y .....	2	
15-15	220-22242-00	BOLT, rear cushion .....	2	
15-16	220-22251-00	NUT, cap .....	2	
15-17	92804-10700	NUT, crown .....	2	
15-18	102-22243-00	WASHER, rear cushion (10-25-2) .....	4	
15-19	122-22243-00	WASHER, rear cushion (12-27-2) .....	2	
15-20	122-22244-00	WASHER, rear cushion (12-22-2) .....	2	

Fig.16 STAND · FOOTREST · BRAKE PEDAL

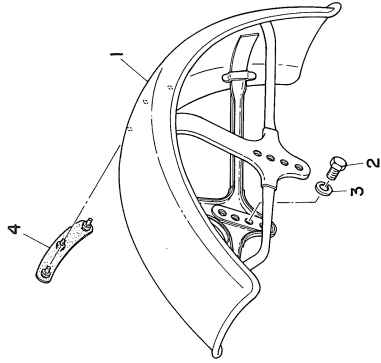
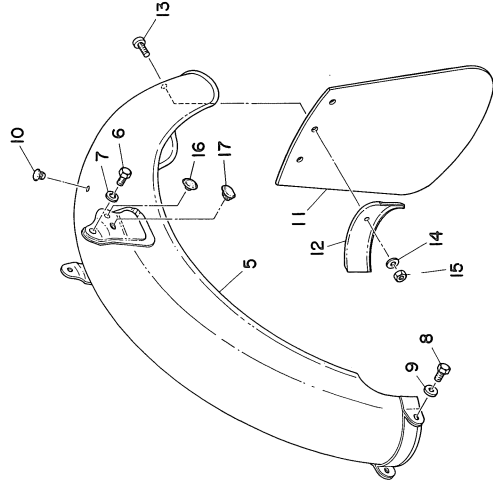


END

# STAND · FOOTREST · BRAKE PEDAL

Ref. No.	Parts No.	Description	Qty	Remarks
16- 1	207-27111-00	STAND, main .....	1	
16- 2	122-27112-00	SHAFT, main stand .....	1	
16- 3	257-27211-00	PEDAL, brake .....	1	
16- 4	93430-12008	CIRCLIP (E-12) .....	1	
16- 5	109-27115-00	LINK, main stand .....	1	
16- 6	122-27116-00	SPRING, main stand .....	1	
16- 7	260-27411-00	FOOTREST .....	1	
16- 8	122-27413-00	COVER, footrest .....	2	
16- 9	97201-08015	BOLT .....	1	
16-10	92901-08100	WASHER, spring .....	1	
16-11	180-27231-01	ROD, brake .....	1	
16-12	109-27216-00	SPRING, pedal return .....	1	
16-13	91401-20012	PIN, cotter .....	1	
16-14	92901-06200	WASHER, plain .....	1	
16-15	180-27236-00	SPRING, rod .....	1	
16-16	156-27237-00	PIN, clevis .....	1	
16-17	206-27238-00	NUT, adjusting .....	1	

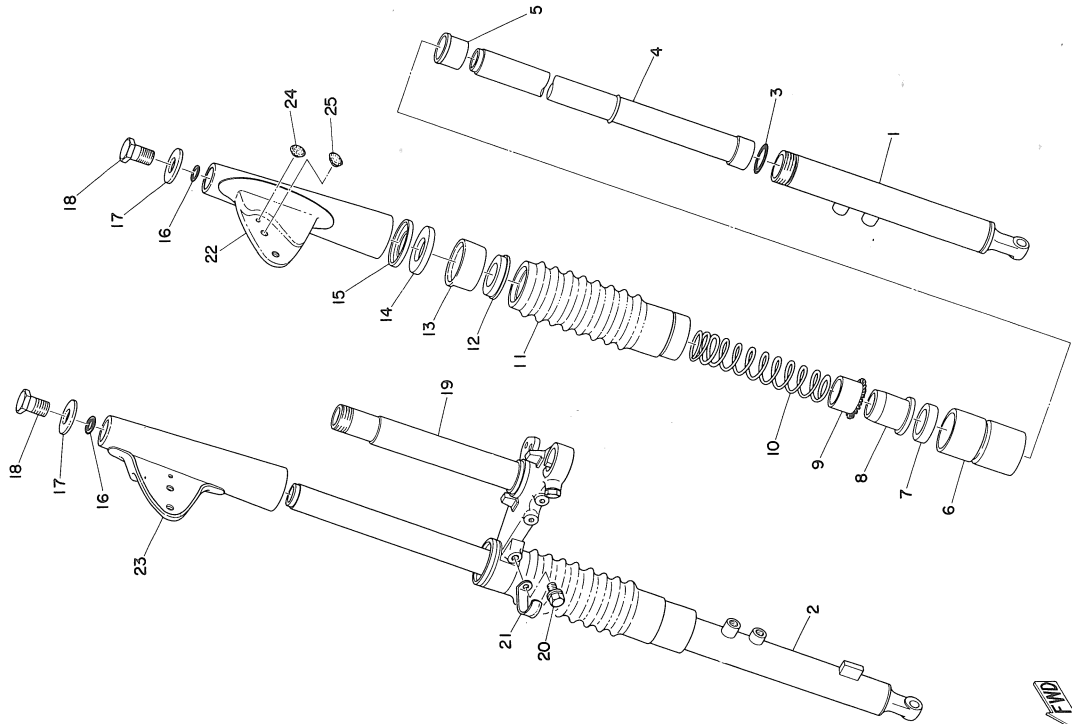
Fig. 17 FRONT FENDER · REAR FENDER



# FRONT FENDER · REAR FENDER

Ref. No.	Parts No.	Description	Q'ty	Remarks
17- 1	260-21510-00-93	FRONT FENDER COMP. ....	1	
17- 2	97201-08012	BOLT .....	4	
17- 3	92901-08100	WASHER, spring .....	4	
17- 4	122-21517-00	PAD, wire .....	1	
17- 5	471-21610-00-93	REAR FENDER COMP. ....	1	
17- 6	97201-08015	BOLT .....	2	
17- 7	92901-08100	WASHER, spring .....	2	
17- 8	91201-06015	BOLT .....	2	
17- 9	92901-06200	WASHER, plain .....	2	
17-10	288-83319-00	PLUG, blind .....	1	
17-11	441-21521-00	F.LAP, front fender .....	1	
17-12	471-21623-00	BAND, flap .....	1	
17-13	92501-06012	SCREW, panhead .....	1	
17-14	92901-06200	WASHER, plain .....	1	
17-15	98801-06200	NUT .....	1	
17-16	101-21279-00	PLUG, blind .....	2	
17-17	185-83319-00	PLUG, blind .....	2	

Fig. 18 FRONT FORK

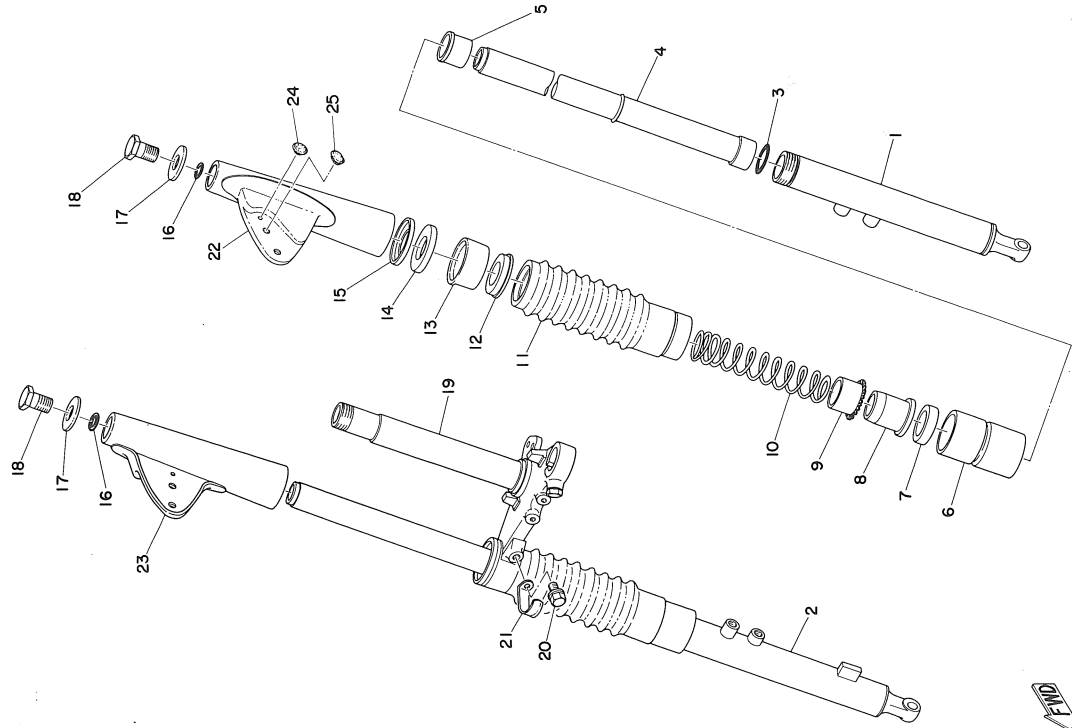


END





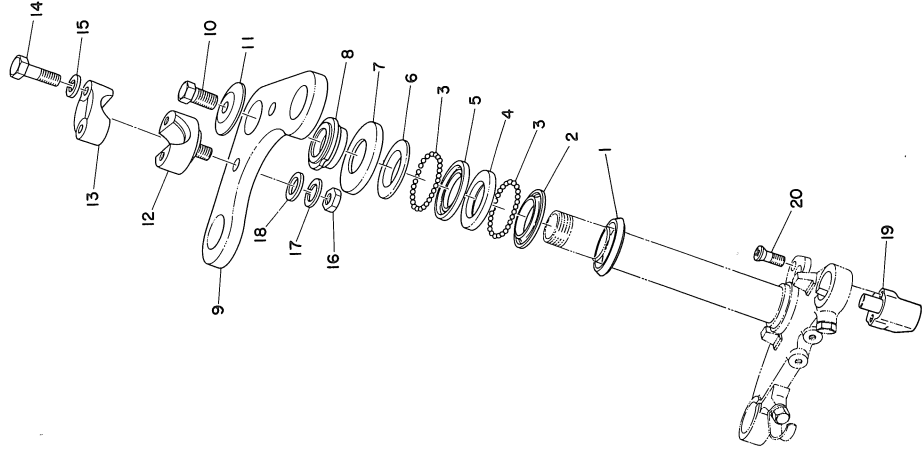
Fig. 18 FRONT FORK



# FRONT FORK

Ref. No.	Parts No.	Description	Qty	Remarks
18-22	260-23121-40-M3	COVER, upper left	..... 1	Baja Brown Metallic Cosmic Blue Popcicle Purple
	260-23121-40-16	COVER, upper left	..... 1	
	260-23121-40-R1	COVER, upper left	..... 1	
18-23	260-23131-40-M3	COVER, upper right	..... 1	Baja Brown Metallic Cosmic Blue Popcicle Purple
	260-23131-40-16	COVER, upper right	..... 1	
	260-23131-40-R1	COVER, upper right	..... 1	
18-24	101-21279-00	PLUG, blind	..... 2	
18-25	185-83319-00	PLÜG, blind	..... 2	
ENGLAND				
AUSTRIA				
NORWAY				
DENMARK				
FINLAND				
SWEDEN				
BELGIUM				
SWITZERLAND				
W. GERMANY				
HOLLAND				
FRANCE				

Fig. 19 STEERING

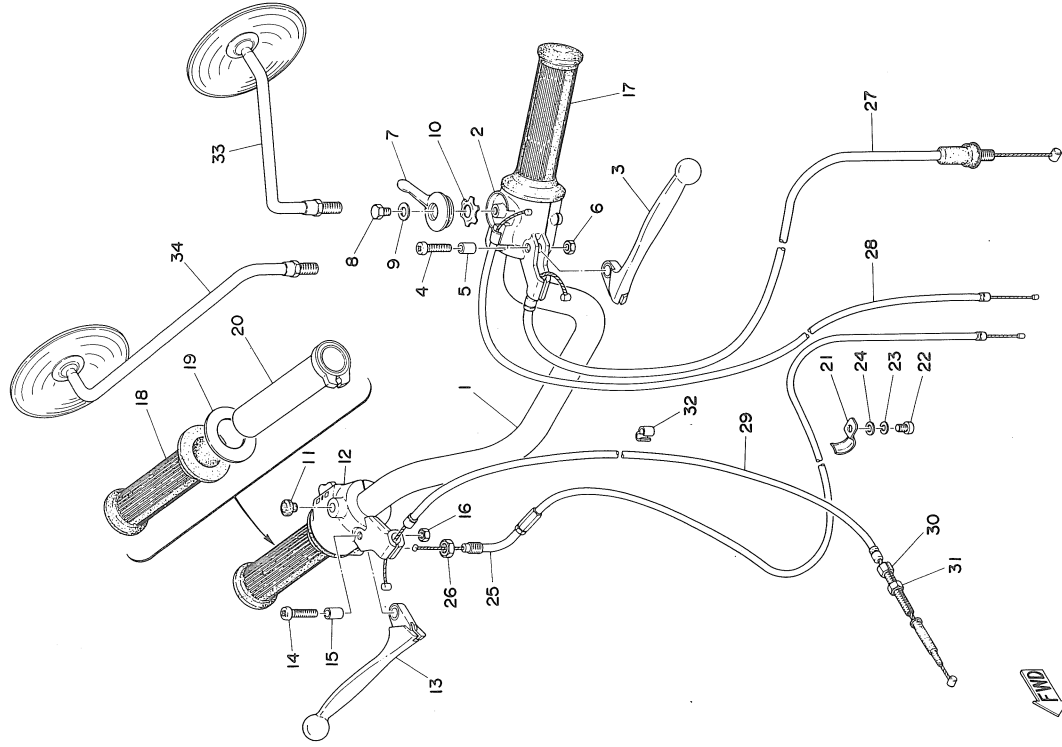


# STEERING

Ref. No.	Parts No.	Description	Qty	Remarks
19- 1	164-23462-00	SEAL, dust .....	1	
19- 2	156-23441-00	RACE, ball 1 .....	1	
19- 3	93501-04011	BALL (1/4 inch) .....	38	
19- 4	156-23442-00	RACE, ball 2 .....	1	
19- 5	183-23442-00	RACE, ball 2 .....	1	
19- 6	183-23441-00	RACE, ball 1 .....	1	
19- 7	136-23445-00	COVER, ball race .....	1	
19- 8	122-23453-00	NUT, fitting .....	1	
19- 9	185-23435-00-98	CROWN, handle .....	1	
19-10	122-23451-00	BOLT, fitting .....	1	
19-11	122-23443-00	WASHER, crown .....	1	
19-12	122-23442-02	HOLDER, handle under .....	2	
19-13	122-23441-00	HOLDER, handle upper .....	2	
19-14	91114-06035	BOLT .....	4	
19-15	92901-06100	WASHER, spring .....	4	
19-16	98801-10100	NUT .....	2	
19-17	92901-10100	WASHER, spring .....	2	
19-18	92901-10200	WASHER, plain .....	2	
19-19	467-23480-00	STERING LOCK ASSY .....	1	
19-20	98601-05012	SCREW, ovalhead .....	2	

Frosting Black

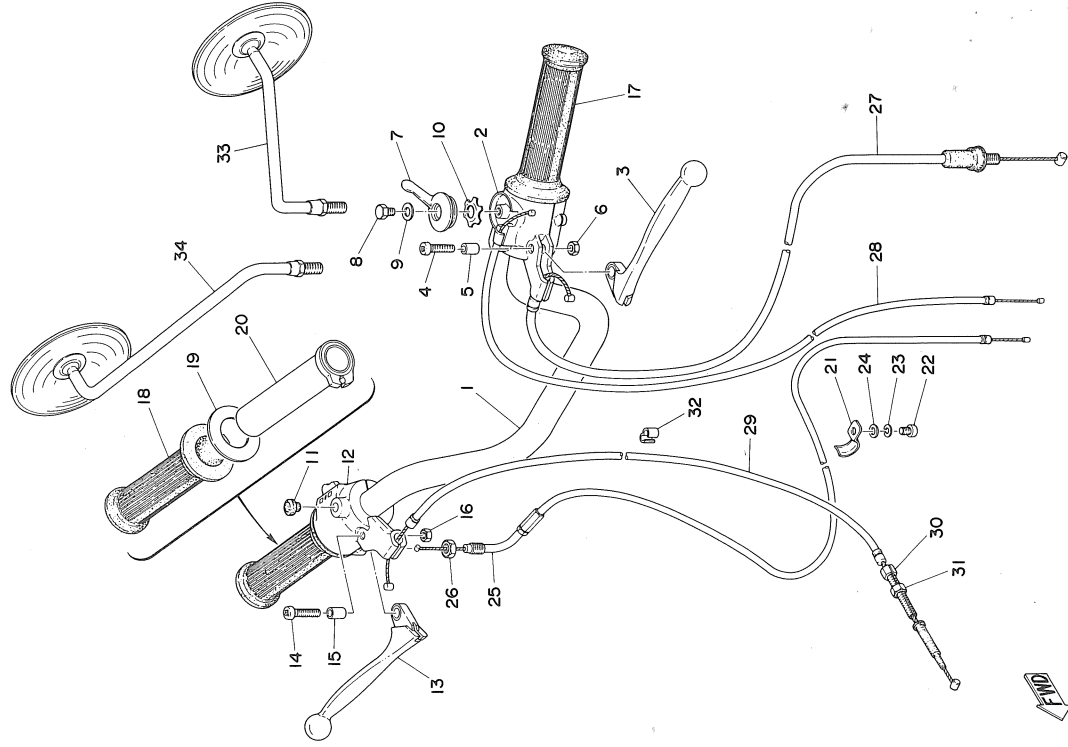
Fig. 20 HANDLE · WIRE



## HANDLE · WIRE

Ref. No.	Parts No.	Description	Q'ty	Remarks
20- 1	132-26111-01	HANDLE .....	1	
	283-26111-00	HANDLE .....	1	
	183-26111-20	HANDLE .....	1	
20- 2	137-82710-11-94	LEVER HOLDER ASS'Y, left	1	
20- 3	137-83912-02-38	. LEVER, left .....	1	
20- 4	98503-05025	. SCREW, panhead .....	1	
20- 5	137-83913-01	. COLLAR, lever .....	1	
20- 6	98801-05100	. NUT .....	1	
20- 7	137-83941-01	LEVER, starter .....	1	
20- 8	91103-06008	BOLT .....	1	
20- 9	92901-06200	WASHER, plain .....	1	
20-10	137-83944-00	WASHER, spring .....	1	
20-11	116-83931-00	PLUG, blind .....	1	
20-12	109-82820-11-94	LEVER HOLDER ASS'Y, right	1	
20-13	137-83922-02-38	. LEVER, right .....	1	
20-14	98503-05025	. SCREW, panhead .....	1	
20-15	137-83913-01	. COLLAR, lever .....	1	
20-16	98801-05100	. NUT .....	1	
20-17	136-26241-00	GRIP, left .....	1	
20-18	137-26242-60	GRIP, right .....	1	
20-19	150-26249-00	RING, leaf .....	1	
20-20	137-26243-60	TUBE, guide .....	1	
20-21	128-26278-00	CLIP, wire .....	1	
20-22	92501-06008	SCREW, panhead .....	1	
20-23	92901-06100	WASHER, spring .....	1	
20-24	92901-06200	WASHER, plain .....	1	

Fig. 20 HANDLE · WIRE



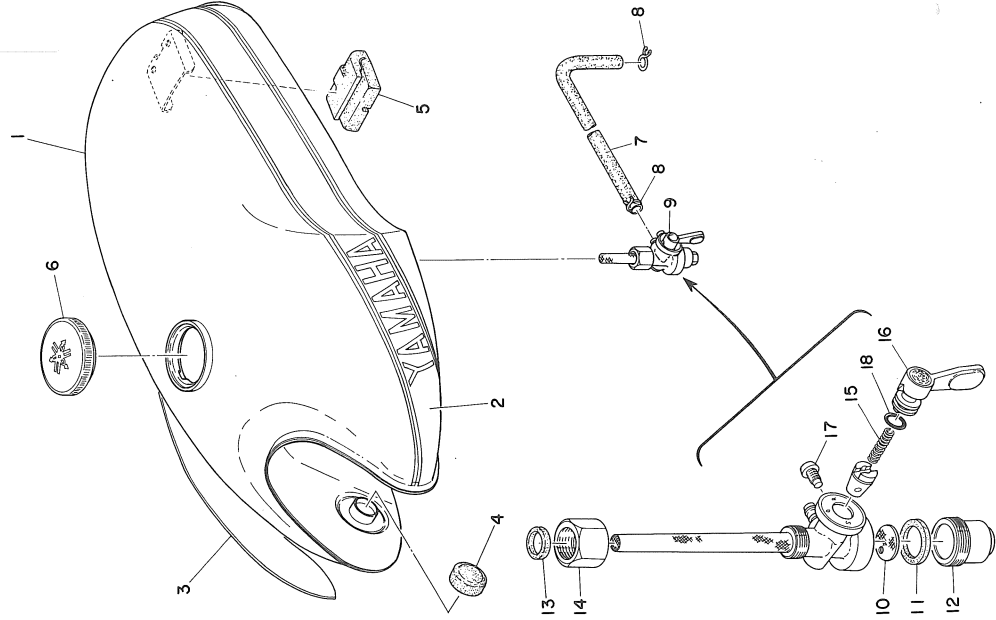
FWD



## HANDLE · WIRE

Ref. No.	Parts No.	Description	Q'ty	Remarks
20-25	394-26311-00	WIRE, throttle	1	
	394-26311-10	WIRE, throttle	1	
	394-26311-20	WIRE, throttle	1	
20-26	169-26251-00	NUT, adjusting	1	
20-27	260-26335-00	WIRE, clutch	1	Alternate Parts Ba
	260-26335-10	WIRE, clutch	1	
	260-26335-20	WIRE, clutch	1	
20-28	260-26331-00	WIRE, starter	1	Alternate Parts Ba
	137-26331-11	WIRE, starter	1	
	137-26331-30	WIRE, starter	1	
20-29	260-26341-00	WIRE, brake	1	Alternate Parts Ba
	132-26341-10	WIRE, brake	1	
	109-26341-20	WIRE, brake	1	Alternate Parts Ba
20-30	109-26345-00	BOLT, wire adjusting	1	
20-31	109-26344-00	NUT, wire adjusting	1	
20-32	207-26391-00	CLIP, wire	1	
20-33	266-26290-10	BACK MIRROR ASS'Y, left	1	Alternate Parts
20-34	266-26290-00	BACK MIRROR ASS'Y, right	1	Alternate Parts
				ENGLAND
				AUSTRIA
				NORWAY
				DENMARK
				FINLAND
				SWEDEN
				BELGIUM
				SWITZERLAND
				W. GERMANY
				HOLLAND
				FRANCE

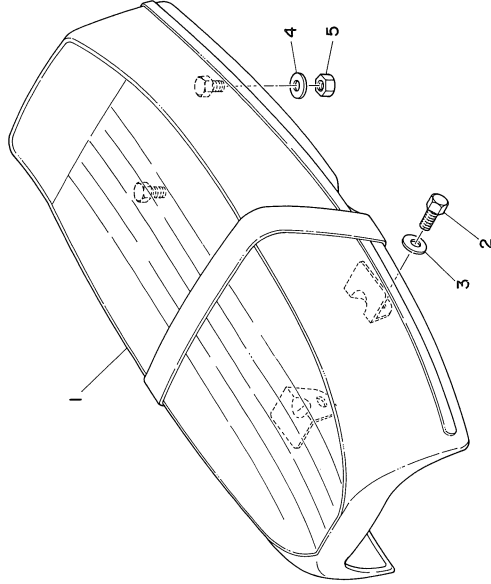
Fig. 21 FUEL TANK



# FUEL TANK

Ref. No.	Parts No.	Description	Q'ty	Applicable Machine No.	Remarks
21- 1	467-24110-00-01	FUEL TANK COMP.	1		Baja Brown
	467-24110-00-02	FUEL TANK COMP.	1		Metallic Cosmic Blue
	467-24110-00-03	FUEL TANK COMP.	1		Popocate Purple
21- 2	467-24244-00	. GRAPHIC, fuel tank left	1		
21- 3	467-24245-00	. GRAPHIC, fuel tank right	1		
21- 4	122-24181-00	DAMPER, locating 1	2		
21- 5	467-24184-00	DAMPER, locating 2	1		
21- 6	122-24610-01	CAP ASS'Y	1		
21- 7	90445-09114	HOSE (5-500)	1		
21- 8	101-24356-00	CLIP, pipe	2		
21- 9	127-24500-00	FUEL COCK ASS'Y	1		
21-10	122-24515-00	. NET, filter	1		
21-11	102-24522-00	. GASKET, filter	1		
21-12	122-24521-00	. CUP, filter	1		
21-13	122-24532-00	. GASKET, nut	1		
21-14	122-24531-00	. NUT	1		
21-15	102-24529-00	. SPRING	1		
21-16	122-24524-00	. LEVER, cock	1		
21-17	127-24535-00	. SCREW, lever fitting	1		
21-18	122-24534-00	. SEAT, cock lever	1		

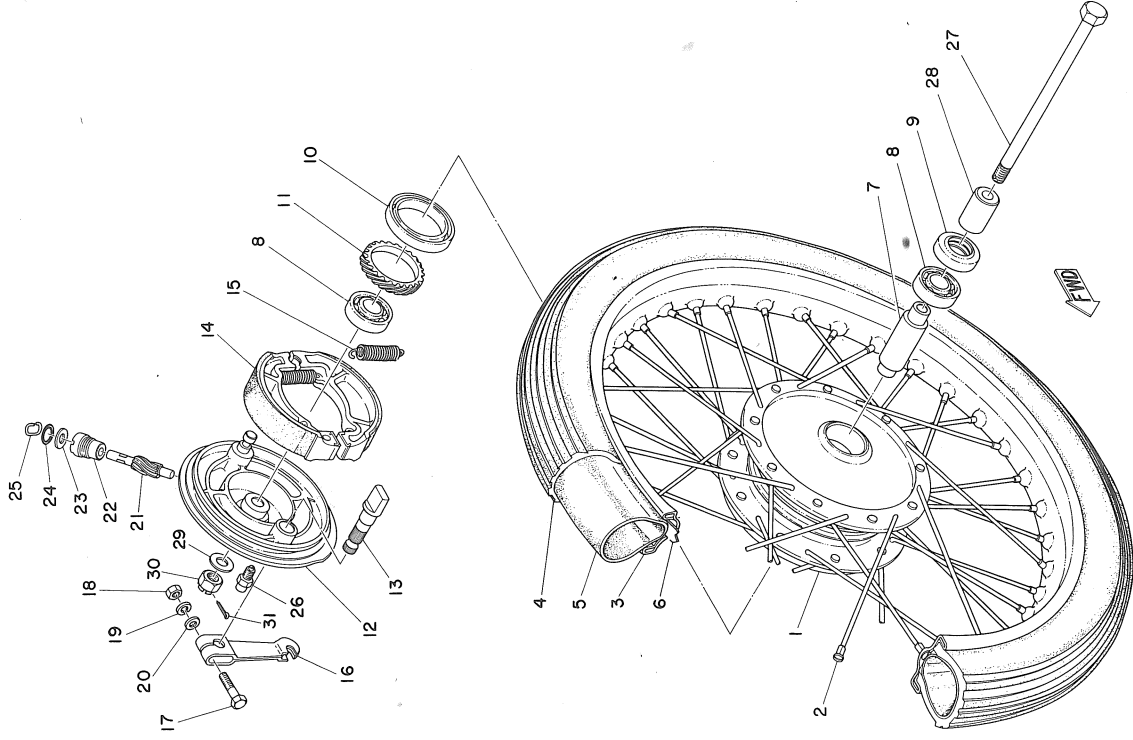
Fig. 22 SEAT



## SEAT

Ref. No.	Parts No.	Description	Qty	Remarks
22- 1	467-24730-00	DOUBLE SEAT ASSY	..... 1	
22- 1-1	467-24731-00	. COVER, double seat	..... 1	
22- 2	97201-08015	BOLT	..... 2	
22- 3	92901-08200	WASHER, plain	..... 2	
22- 4	92901-08200	WASHER, plain	..... 2	
22- 5	98801-08100	NUT	..... 2	
				ENGLAND
				AUSTRIA
				NORWAY
				DENMARK
				FINLAND
				SWEDEN
				BELGIUM
				SWITZERLAND
				W. GERMANY
				HOLLAND
				FRANCE

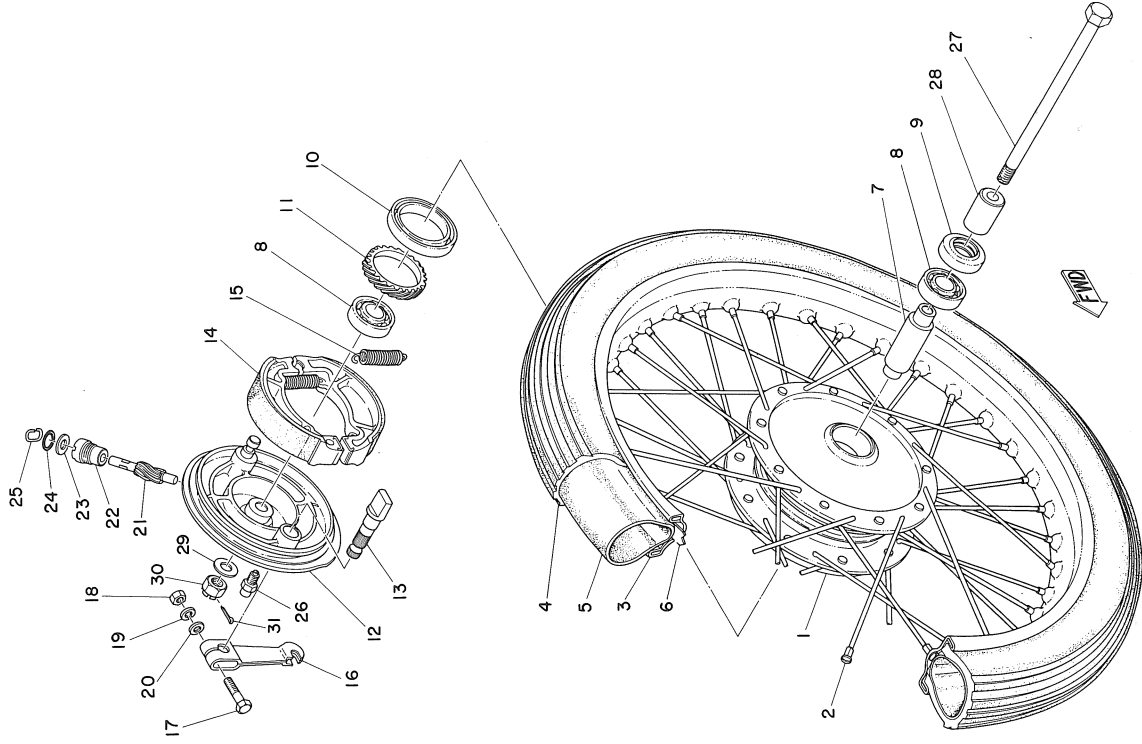
Fig. 23 FRONT WHEEL



# FRONT WHEEL

Ref. No.	Parts No.	Description	Qty	Remarks
23- 1	109-25111-00-35	HUB, front .....	1	
23- 2	109-25104-00	SPOKE SET .....	1s	
23- 3	94412-17002	RIM (1.20-17) .....	1	
23- 4	94122-17008	TIRE, front (2.25-17-4PR) ..	1	
23- 5	94222-17003	TUBE (2.25-17) .....	1	
23- 6	94322-17002	BAND, rim (2.25-17) .....	1	
23- 7	102-25117-00	SPACER, bearing .....	1	
23- 8	93306-20204	BEARING (6202Z) .....	2	
23- 9	93106-20001	OIL SEAL (DD-20-35-7) ....	1	
23-10	93107-42001	OIL SEAL (OS-42-52.5-7) ...	1	
23-11	109-25135-00	GEAR, drive .....	1	
23-12	109-25121-01-35	PLATE, brake shoe .....	1	
23-13	122-25351-01	CAMSHAFT .....	1	
23-14	326-25330-10	BRAKE SHOE COMP. ....	2	
23-15	102-25333-00	SPRING, brake shoe return ..	2	
23-16	109-25155-00	LEVER, cam shaft .....	1	
23-17	91201-06030	BOLT .....	1	
23-18	98801-06100	NUT .....	1	
23-19	92901-06100	WASHER, spring .....	1	
23-20	92901-06200	WASHER, plain .....	1	
23-21	141-25138-00	GEAR, meter .....	1	
23-22	109-25136-00	BUSHING .....	1	
23-23	93104-07003	OIL SEAL (SO-7-14-4) .....	1	
23-24	93210-14104	O-RING (2.4-13.8) .....	1	
23-25	102-25137-00	RING, stop .....	1	
23-26	93700-06001	NIPPLE, grease .....	1	
23-27	451-25181-01	SHAFT, wheel .....	1	

Fig. 23 FRONT WHEEL

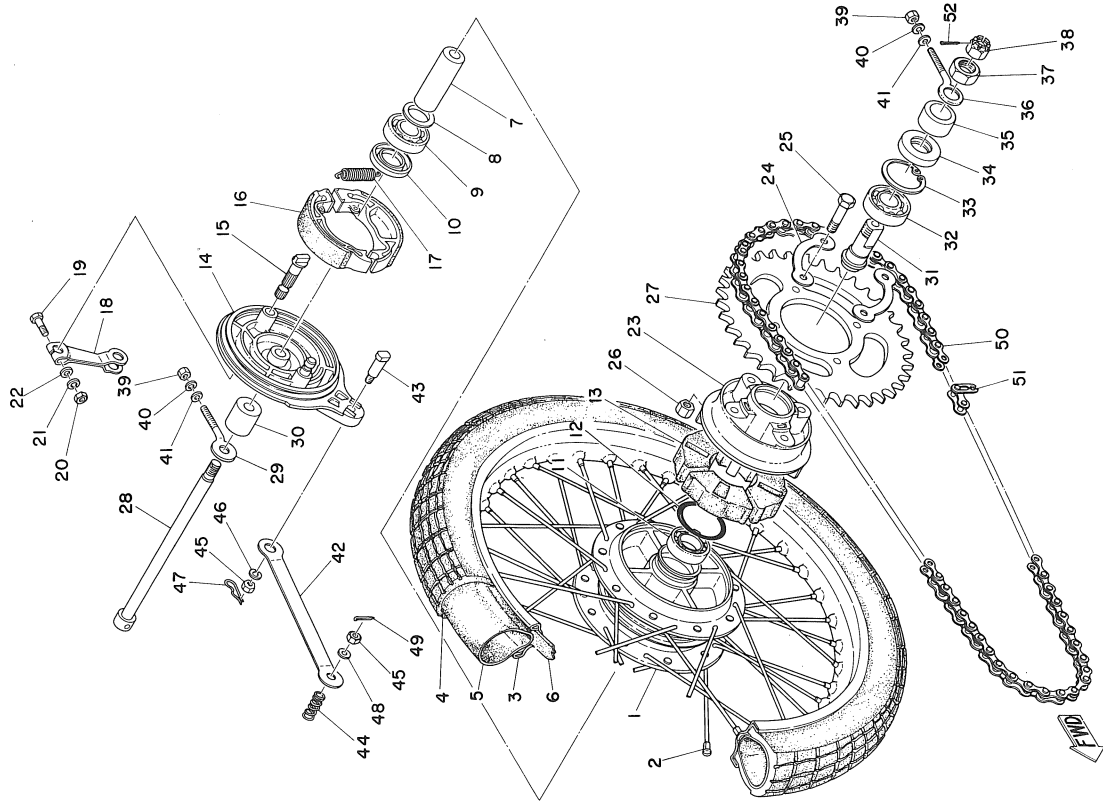




# FRONT WHEEL

Ref. No.	Parts No.	Description	Qty	Remarks																						
23-28	128-25183-00	COLLAR, wheel shaft .....	1																							
23-29	90201-10123	WASHER, plate .....	1																							
23-30	353-25182-00	NUT, shaft .....	1																							
23-31	91401-20020	PIN, cotter .....	1																							
<table border="1" style="width: 100%; border-collapse: collapse; margin-top: 10px;"> <tr> <td style="width: 15%;">ENGLAND</td> <td></td> </tr> <tr> <td>AUSTRIA</td> <td></td> </tr> <tr> <td>NORWAY</td> <td style="text-align: center;">X</td> </tr> <tr> <td>DENMARK</td> <td style="text-align: center;">X X</td> </tr> <tr> <td>FINLAND</td> <td style="text-align: center;">X X</td> </tr> <tr> <td>SWEDEN</td> <td></td> </tr> <tr> <td>BELGIUM</td> <td style="text-align: center;">X X X X</td> </tr> <tr> <td>SWITZERLAND</td> <td></td> </tr> <tr> <td>W. GERMANY</td> <td></td> </tr> <tr> <td>HOLLAND</td> <td></td> </tr> <tr> <td>FRANCE</td> <td></td> </tr> </table>					ENGLAND		AUSTRIA		NORWAY	X	DENMARK	X X	FINLAND	X X	SWEDEN		BELGIUM	X X X X	SWITZERLAND		W. GERMANY		HOLLAND		FRANCE	
ENGLAND																										
AUSTRIA																										
NORWAY	X																									
DENMARK	X X																									
FINLAND	X X																									
SWEDEN																										
BELGIUM	X X X X																									
SWITZERLAND																										
W. GERMANY																										
HOLLAND																										
FRANCE																										

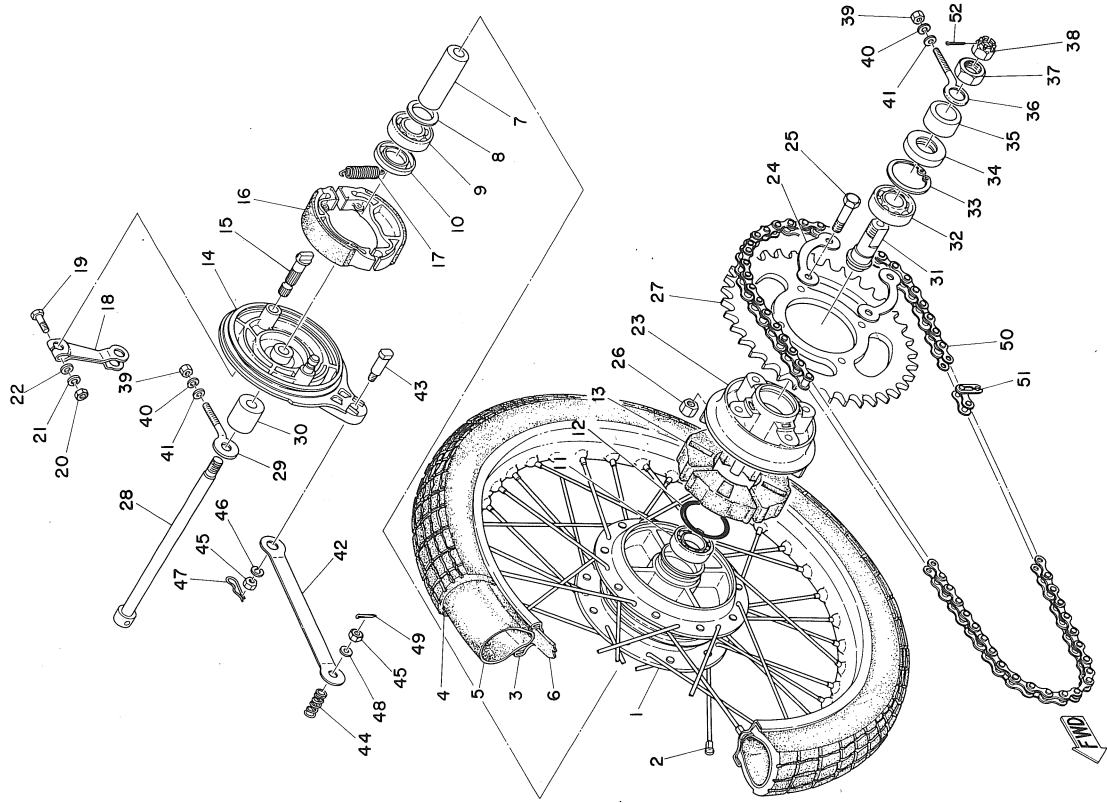
Fig. 24 REAR WHEEL



# REAR WHEEL

Ref. No.	Parts No.	Description	Qty	FRANCE	HOLLAND	GERMANY	SWITZERLAND	BELGIUM	SWEDEN	FINLAND	DENMARK	NORWAY	AUSTRIA	ENGLAND	Remarks
24- 1	132-25511-00-38	HUB, rear	..... 1					X							
24- 2	122-25304-00	SPOKE SET	..... 1s					X							
24- 3	94414-17003	RIM (1.40-17)	..... 1					X							
24- 4	94125-17012	TIRE, rear (2.50-17-4PR)	.. 1					X							
24- 5	94225-17005	TUBE (2.50-17)	..... 1					X							
24- 6	94325-17004	BAND, rim (2.50-17)	..... 1					X							
24- 7	102-25517-00	SPACER, bearing	..... 1					X							
24- 8	102-25515-00	FLANG, spacer	..... 1					X							
24- 9	93306-30101	BEARING (6301)	..... 1					X							
24-10	93104-21016	OIL SEAL (50-21-37-7)	.... 1					X							
24-11	93306-30103	BEARING (6301Z)	..... 1					X							
24-12	93210-41041	O-RING (4-40-5)	..... 1					X							
24-13	304-25364-00	DAMPER, clutch	..... 4					X							
24-14	102-25321-00-38	PLATE, brake shoe	..... 1					X							
24-15	122-25351-01	CAM SHAFT	..... 1					X							
24-16	326-25330-10	BRAKE SHOE COMP.	..... 2					X							
24-17	102-25333-00	SPRING, brake shoe return	.. 2					X							
24-18	122-25355-00	LEVER, cam shaft	..... 1					X							
24-19	91201-06030	BOLT	..... 1					X							
24-20	98801-06100	NUT	..... 1					X							
24-21	92901-06100	WASHER, spring	..... 1					X							
24-22	92901-06200	WASHER, plain	..... 1					X							
24-23	132-25366-01	CLUTCH, hub	..... 1					X							
24-24	102-25412-00	WASHER, lock	..... 2					X							
24-25	207-25411-00	BOLT, fitting	..... 4					X							
24-26	98801-08200	NUT	..... 4					X							

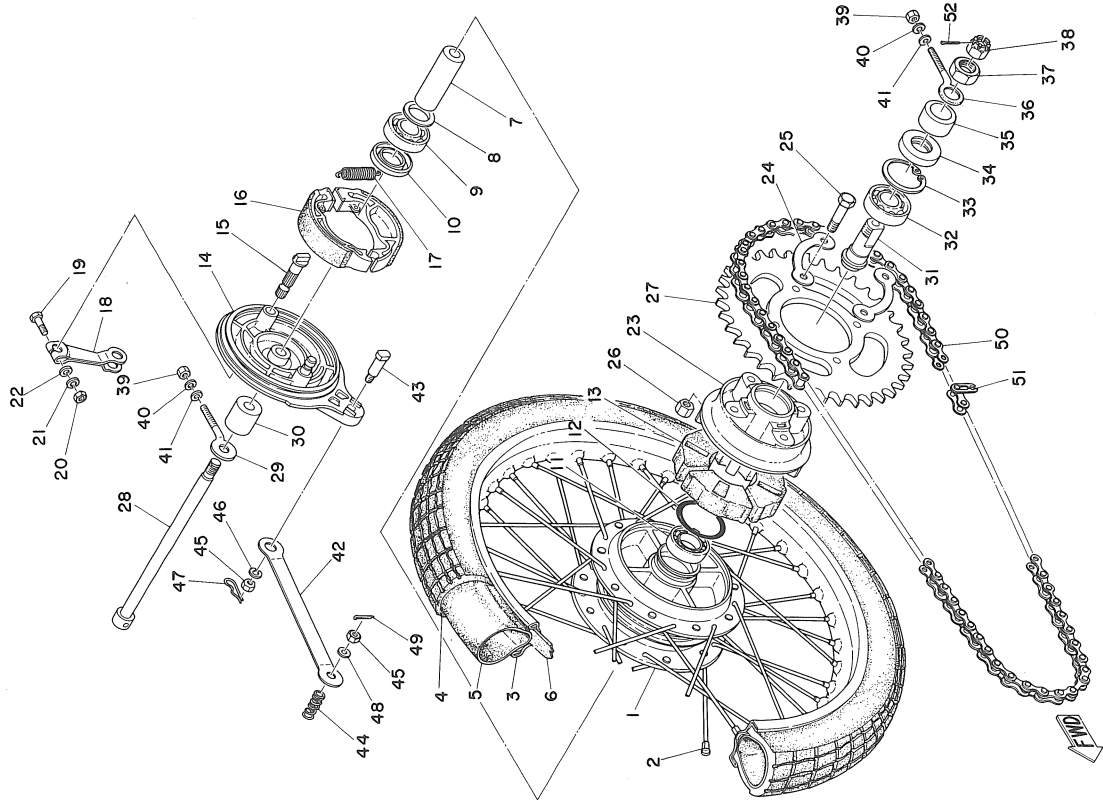
Fig 24 REAR WHEEL



# REAR WHEEL

Ref. No.	Parts No.	Description	Q'ty	Remarks
24-27	283-25444-10	GEAR, sprocket wheel (44T) . . . 1		
	122-25441-10	GEAR, sprocket wheel (41T) . . 1		
	122-25443-10	GEAR, sprocket wheel (43T) . . 1		
24-28	357-25381-00	SHAFT, wheel . . . . . 1		
24-29	102-25389-00	PULLER, chain right . . . . . 1		
24-30	102-25383-00	COLLAR, wheel shaft . . . . . 1		
24-31	102-25387-02	SHAFT, sprocket . . . . . 1		
24-32	93306-00406	BEARING (6004) . . . . . 1		
24-33	93420-42007	CIRCLIP (R-42) . . . . . 1		
24-34	93106-30004	OIL SEAL (DD-30-42-8) . . . . 1		
24-35	102-25386-01	COLLAR, sprocket shaft . . . . 1		
24-36	127-25388-00	PULLER, chain left . . . . . 1		
24-37	102-25385-01	NUT, sprocket shaft . . . . . 1		
24-38	353-25182-00	NUT, shaft . . . . . 1		
24-39	98801-06100	NUT . . . . . 2		
24-40	92901-06100	WASHER, spring . . . . . 2		
24-41	92901-06200	WASHER, plain . . . . . 2		
24-42	102-25371-00	BAR, tension . . . . . 1		
24-43	102-25373-00	BOLT, tension bar . . . . . 1		
24-44	102-25374-00	SPRING, tension bar . . . . . 1		
24-45	98801-08300	NUT . . . . . 1		
24-46	92901-08100	WASHER, spring . . . . . 1		
24-47	102-25375-00	CLIP, tension bar . . . . . 1		
24-48	92901-08200	WASHER, plain . . . . . 1		
24-49	91401-20012	PIN, cotter . . . . . 1		
24-50	94504-20106	CHAIN (DK420-106L) . . . . . 1		
24-51	94604-20001	JOINT, CHAIN . . . . . 1		

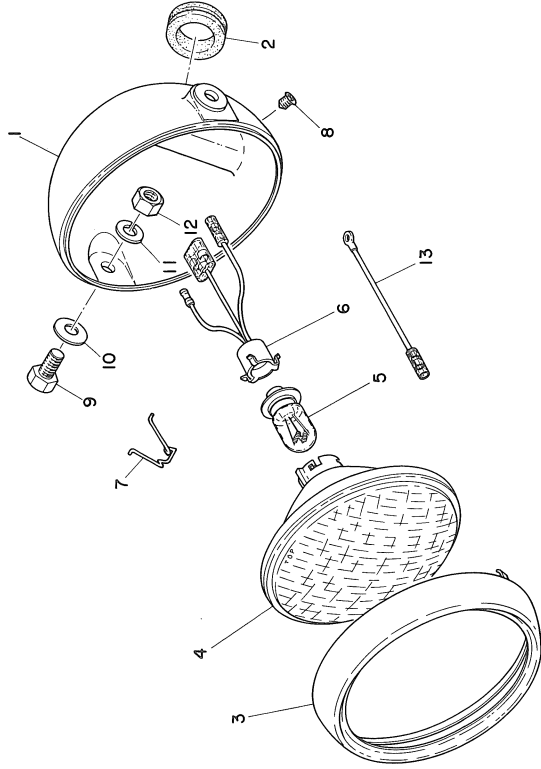
Fig. 24 REAR WHEEL



# REAR WHEEL

Ref. No.	Parts No.	Description	Qty	Remarks
24-52	91401-20020	PIN, cotter .....	1	
				ENGLAND
				AUSTRIA
				NORWAY
				DENMARK
				FINLAND
				SWEDEN
				BELGIUM
				SWITZERLAND
				W. GERMANY
				HOLLAND
				FRANCE

Fig. 25 HEAD LAMP 1



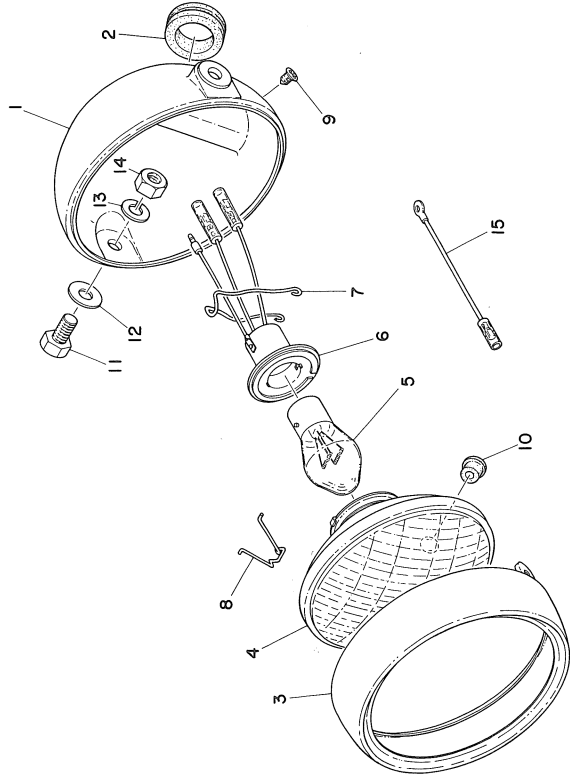
END



# HEAD LAMP 1

Ref. No.	Parts No.	Description	Qty	Remarks
25- 1	241-84330-00-M3	BODY ASS'Y .....	1	Beja Brown
	241-84330-00-16	BODY ASS'Y .....	1	Metallic Cosmic Blue
	241-84330-00-R1	BODY ASS'Y .....	1	Popiciale Purple
25- 2	150-84153-00	. GROMMET .....	2	
25- 0-1	260-84110-00	HEAD LAMP UNIT ASS'Y ....	1	
25- 3	195-84315-01	. RIM, head lamp .....	1	
25- 4	195-84320-00	. LENS ASS'Y .....	1	
25- 5	104-84114-00	. BULB (6V-15/15W) .....	1	
25- 6	241-84312-00	. SOCKET ASS'Y .....	1	
25- 7	195-84324-00	. SPRING, reflector set ....	3	
25- 8	195-84325-00	. SCREW, rim fitting .....	1	
25- 9	97203-08018	BOLT .....	2	
25-10	92903-08200	WASHER, plain .....	2	
25-11	92901-08100	WASHER, spring .....	2	
25-12	98801-08300	NUT .....	2	
25-13	173-84313-00	WIRE, earth .....	1	
				ENGLAND
				AUSTRIA
				NORWAY
				DENMARK
				FINLAND
				SWEDEN
				BELGIUM
				SWITZERLAND
				W. GERMANY
				HOLLAND
				FRANCE

Fig. 26 HEAD LAMP 2

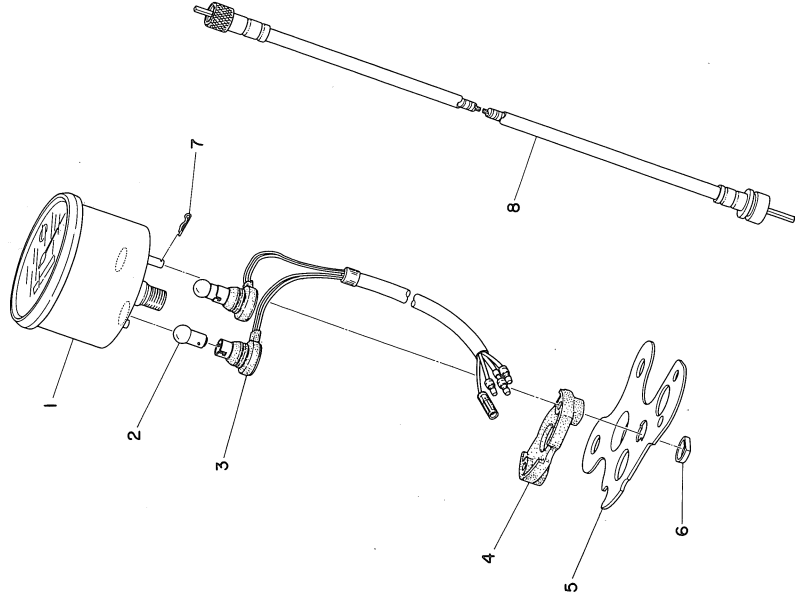


END

# HEAD LAMP 2

Ref. No.	Parts No.	Description	Qty	Remarks
26- 1	241-84330-00-M3	BODY ASS'Y .....	1	Bija Brown
	241-84330-00-16	BODY ASS'Y .....	1	Metallic Cosmic Blue
	241-84330-00-R1	BODY ASS'Y .....	1	Popcycle Purple
26- 2	150-84153-00	. GROMMET .....	2	
26- 0-1	473-84103-40	HEAD LAMP UNIT ASS'Y ...	1	
26- 3	290-84115-21	. RIM, head lamp .....	1	
26- 4	473-84120-40	. LENS ASS'Y .....	1	
26- 5	260-84114-40	. BULB (6V-25/25W) .....	1	
26- 6	473-84112-40	. SOCKET ASS'Y .....	1	*
26- 7	308-84135-21	. SPRING .....	1	
26- 8	290-84124-21	. SPRING, reflector set ....	3	
26- 9	195-84325-00	. SCREW, rim fitting .....	1	
26-10	381-84154-90	. BUSHING .....	1	
26-11	97203-08018	BOLT .....	2	
26-12	92903-08200	WASHER, plain .....	2	
26-13	92901-08100	WASHER, spring .....	2	
26-14	98801-08300	NUT .....	2	
26-15	173-84313-00	WIRE, earth .....	1	

Fig. 27 SPEEDOMETER

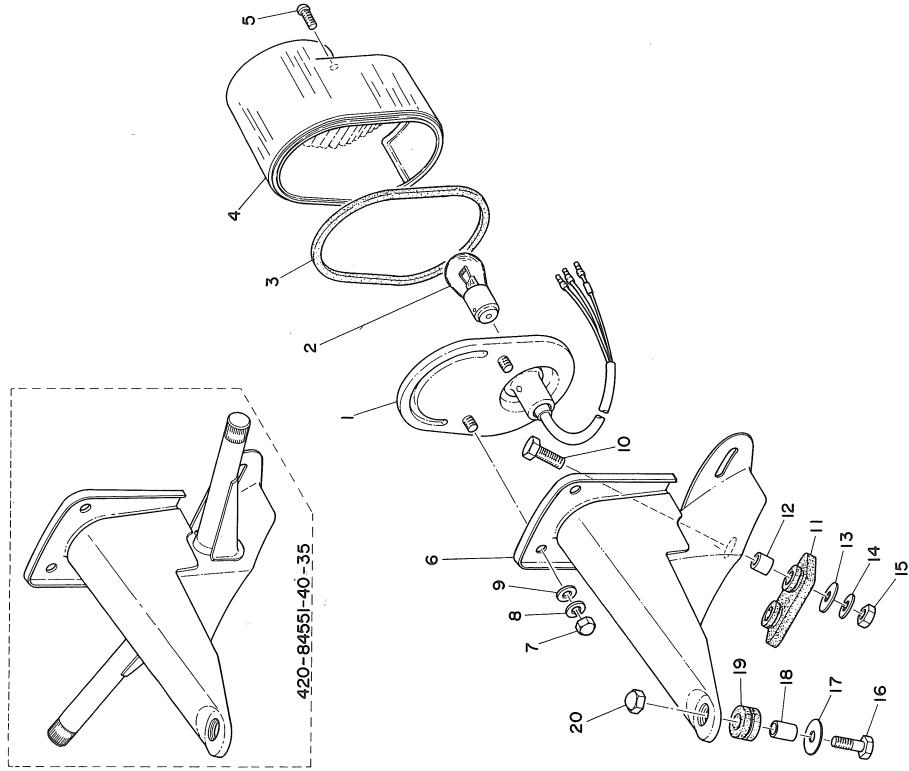


END

# SPEEDOMETER

Ref. No.	Parts No.	Description	Q'ty	Applicable Machine No.	Remarks
27- 1	260-83510-11	SPEEDOMETER ASS'Y	..... 1		km/h
27- 2	122-83516-10	. BULB (6V-3W)	..... 2		
27- 3	260-83520-11	. SOCKET ASS'Y	..... 1		
27- 4	237-83523-00	DAMPER	..... 1		
27- 5	467-83519-00-98	BRACKET, meter	..... 1		Frosting Black
27- 6	214-83524-00	WASHER, special	..... 2		
27- 7	156-83525-00	CLIP	..... 2		
27- 8	260-83550-00	SPEEDOMETER CABLE ASS'Y	... 1		

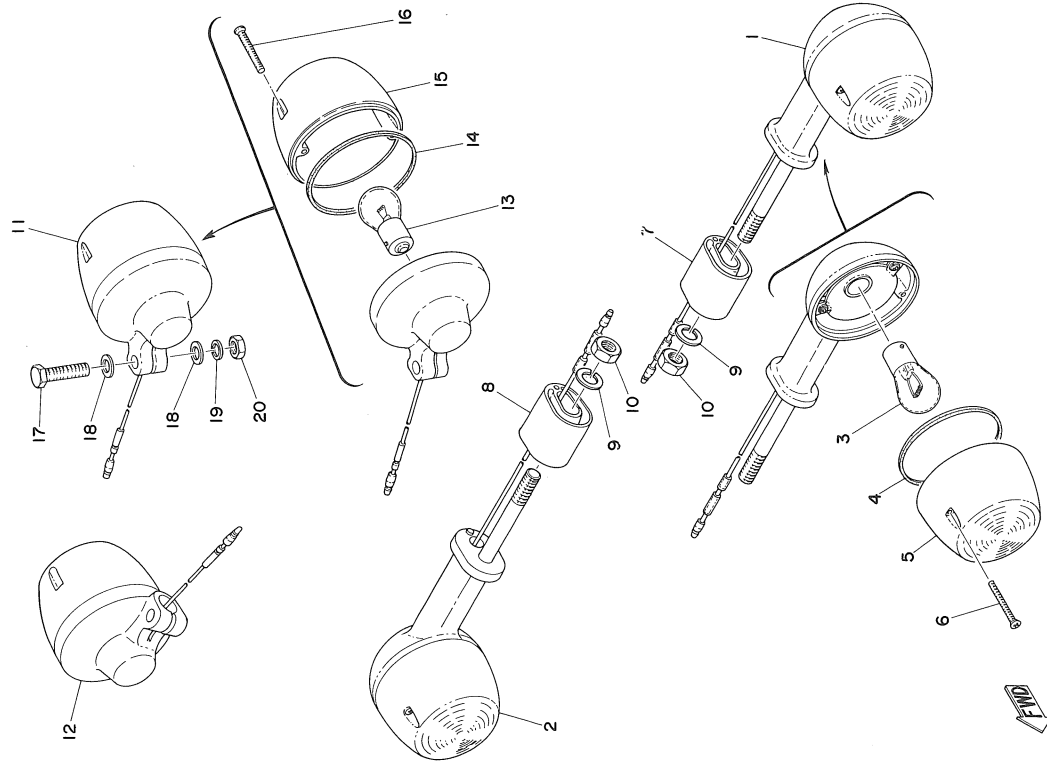
Fig. 28 TAIL LAMP



# TAIL LAMP

Ref. No.	Parts No.	Description	Qty	Remarks
28- 0-1	468-84510-40	TAIL LAMP UNIT ASSY	... 1	
28- 1	468-84511-40	. BASE, tail lamp	..... 1	
28- 2	260-84514-40	. BULB, tail lamp (6V-2/5W)	1	*
28- 3	122-84523-30	. GASKET, tail lens	..... 1	
28- 4	375-84521-40	. LENS, tail lamp	..... 1	
28- 5	127-84524-30	. SCREW, lens fitting	..... 2	
28- 6	420-84551-50-35	BRACKET, license	..... 1	Silver
	420-84551-40-35	BRACKET, license	..... 1	Silver
28- 7	92803-06700	NUT, crown	..... 2	
28- 8	92903-06100	WASHER, spring	..... 2	
28- 9	92903-06200	WASHER, plain	..... 2	
28-10	91201-06020	BOLT	..... 2	
28-11	214-84553-01	DAMPER	..... 1	
28-12	90387-06241	COLLAR	..... 2	
28-13	90201-06059	WASHER, plain	..... 2	
28-14	92901-06100	WASHER, spring	..... 2	
28-15	98801-06100	NUT	..... 2	
28-16	91201-06020	BOLT	..... 1	
28-17	102-28323-00	WASHER, leg shield	..... 1	
28-18	214-21633-00	COLLAR, fender mount	.... 1	
28-19	214-21717-00	DAMPER, battery box	..... 1	
28-20	98803-06700	NUT, crown	..... 1	

Fig. 29 FLASHER LAMP

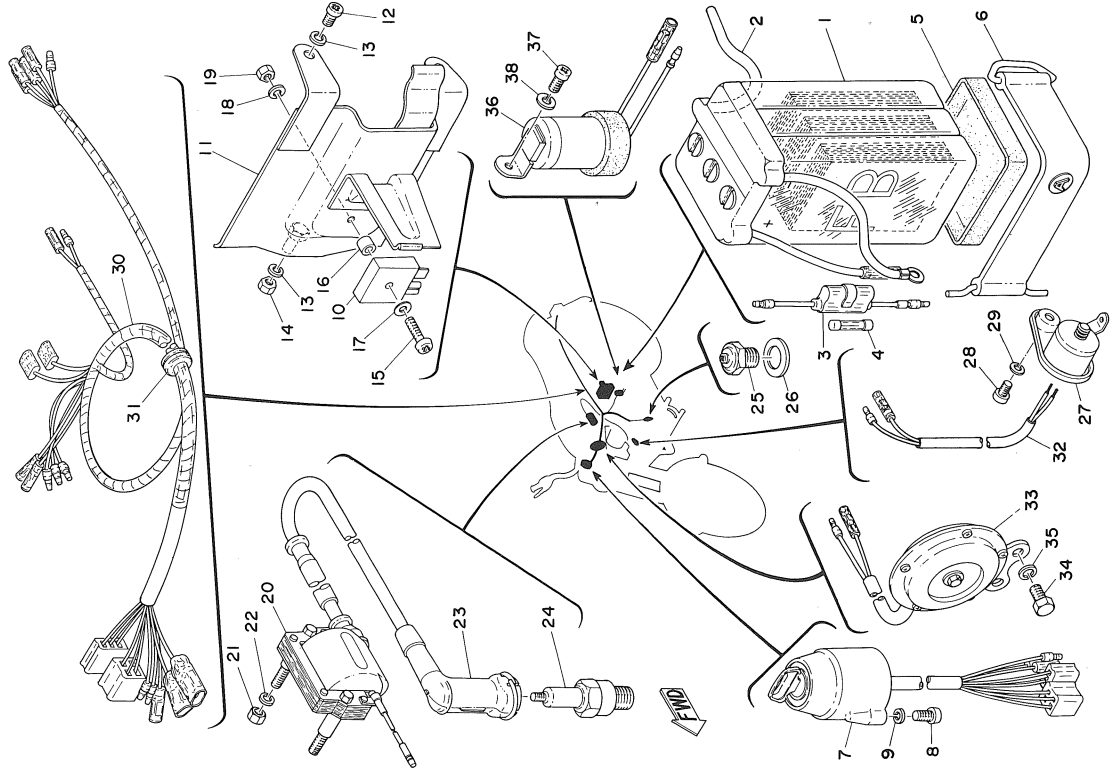




# FLASHER LAMP

Ref. No.	Parts No.	Description	Qty	Remarks
29- 1	353-83310-30-93	FRONT FLASHER LAMP ASSY, left .....	1	
29- 2	353-83320-30-93	FRONT FLASHER LAMP ASSY, right .....	1	
29- 3	308-83311-30	. BULB, flasher (6V-21W) ...	2	*
29- 4	183-83313-70	. GASKET, flasher lens ....	2	
29- 5	183-83312-70	. LENS, flasher .....	2	
29- 6	183-83333-71	. SCREW, lens fitting .....	4	
29- 7	353-83316-30	COLLAR, flasher 1 .....	1	
29- 8	353-83326-30	COLLAR, flasher 2 .....	1	
29- 9	92901-08100	WASHER, spring .....	2	
29-10	98803-08300	NUT .....	2	
29-11	353-83330-30-93	REAR FLASHER LAMP ASSY, left .....	1	
29-12	353-83340-30-93	REAR FLASHER LAMP ASSY, right .....	1	
29-13	308-83311-30	. BULB, flasher (6V-21W) ...	2	*
29-14	306-83313-40	. GASKET, flasher lens ....	2	
29-15	306-83332-40	. LENS, flasher .....	2	
29-16	183-83333-71	. SCREW, lens fitting .....	4	
29-17	91103-06030	BOLT .....	2	
29-18	92903-06200	WASHER, plain .....	4	
29-19	92903-06100	WASHER, spring .....	2	
29-20	98803-06200	NUT .....	2	
				ENGLAND
				AUSTRIA
				NORWAY
			x	DENMARK
			x	FINLAND
				SWEDEN
				BELGIUM
				SWITZERLAND
				W. GERMANY
				HOLLAND
				FRANCE

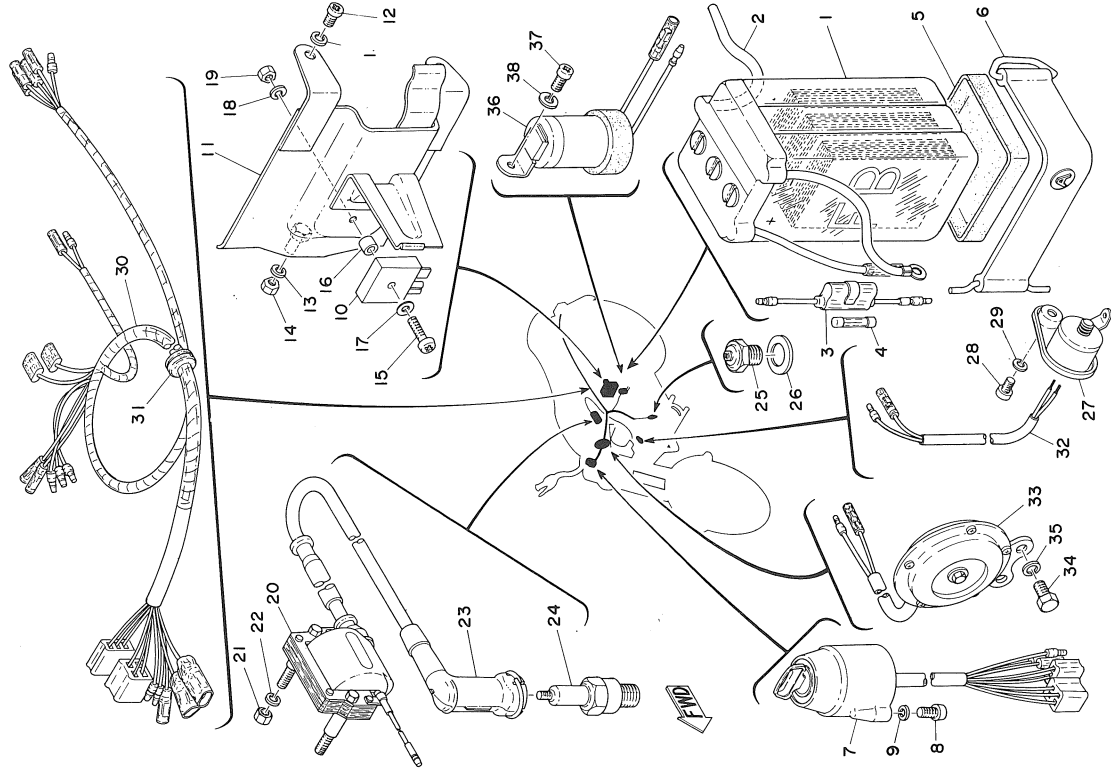
Fig. 30 ELECTRICAL



## ELECTRICAL

Ref. No.	Parts No.	Description	Qty	ENGLAND	NORWAY	DENMARK	FINLAND	SWEDEN	BELGIUM	SWITZERLAND	W. GERMANY	HOLLAND	FRANCE	Remarks
30- 1	104-82110-20	BATTERY ASSY .....	1		X	X			X					
30- 2	123-82112-00	PIPE, breather .....	1		X	X			X					
30- 3	116-82150-00	FUSE HOLDER ASSY .....	1		X	X			X					
30- 4	116-82151-00	. FUSE (6V-10A) .....	2		X	X			X					
30- 5	104-82122-00	SEAT, battery .....	1		X	X			X					
30- 6	164-82131-00	BAND, battery .....	1		X	X			X					
30- 7	467-82508-21	MAIN SWITCH ASSY .....	1		X	X			X					
30- 8	98501-05012	SCREW, panhead .....	2		X	X			X					
30- 9	92901-05100	WASHER, spring .....	2		X	X			X					
30-10	353-81970-60	RECTIFIER ASSY .....	1		X	X			X					
30-11	220-81975-00	PLATE, rectifier fitting ....	1		X	X			X					
30-12	92501-06010	SCREW, panhead .....	2		X	X			X					
30-13	92901-06100	WASHER, spring .....	3		X	X			X					
30-14	98801-06200	NUT .....	1		X	X			X					
30-15	98501-05025	SCREW, panhead .....	1		X	X			X					
30-16	355-81973-00	COLLAR, rectifier .....	1		X	X			X					
30-17	92901-05200	WASHER, plain .....	1		X	X			X					
30-18	92901-05100	WASHER, spring .....	1		X	X			X					
30-19	98801-05200	NUT .....	1		X	X			X					
30-20	355-82310-40	IGNITION COIL ASSY .....	1		X				X					
	355-82310-30	IGNITION COIL ASSY .....	1						X					
30-21	98801-06200	NUT .....	2		X	X			X					
30-22	92901-06100	WASHER, spring .....	2		X	X			X					
30-23	808-82370-10	PLUG CAP ASSY .....	1		X	X			X					
30-24	94701-00039	PLUG, spark (B-6HS) .....	1		X	X			X					
30-25	136-82540-00	NEUTRAL SWITCH ASSY ...	1		X	X			X					
30-26	102-82543-00	GASKET .....	1		X	X			X					

Fig. 30 ELECTRICAL



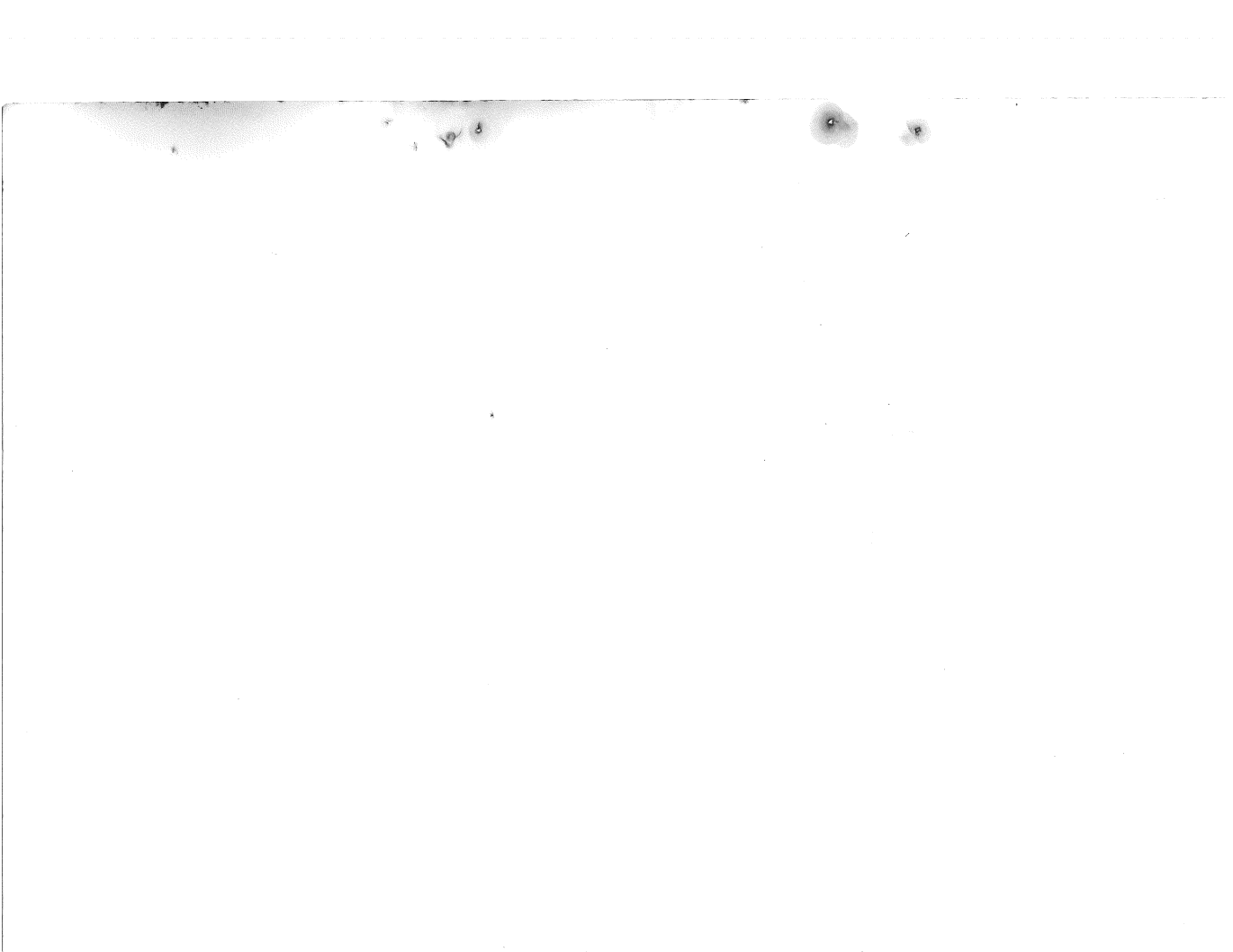
# ELECTRICAL

Ref. No.	Parts No.	Description	Qty	Remarks
30-27	122-82530-00	STOP SWITCH ASS'Y	..... 1	
30-28	98501-05010	SCREW, panhead	..... 1	
30-29	92901-05100	WASHER, spring	..... 1	
30-30	469-82590-20	WIRE HARNESS ASS'Y	..... 1	
30-31	136-82598-00	GROMMET	..... 1	
30-32	471-82531-00	WIRE, lead	..... 1	
30-33	260-83371-11	HORN	..... 1	
30-34	92501-06010	BOLT	..... 2	
30-35	92901-06100	WASHER, spring	..... 2	
30-36	260-83350-30	FLASHER RELAY ASS'Y	.... 1	
30-37	92501-06012	SCREW, panhead	..... 1	
30-38	92901-06100	WASHER, spring	..... 1	
				ENGLAND
				AUSTRIA
				NORWAY
				DENMARK
				FINLAND
				SWEDEN
				BELGIUM
				SWITZERLAND
				W. GERMANY
				HOLLAND
				FRANCE



# NUMERICAL INDEX







# NUMERICAL INDEX

Ref No.	Parts No.	Ref No.	Parts No.	Ref No.	Parts No.
17-16	101-21279-00	3-7	109-11635-02	11-2	122-14612-02
18-24	101-21279-00	3-7	109-11636-02	2-16	122-15486-00
21-8	101-24356-00	11-10	109-14713-00	8-2	122-15612-02
1-13	102-11181-01	11-11	109-14714-02	4-3	122-16164-00
3-8	102-11633-01	15-3	109-22141-00	4-14	122-16164-00
15-2	102-22123-00	18-5	109-23125-00	17-4	122-21517-00
15-18	102-22243-00	18-8	109-23143-00	14-7	122-21724-00
21-11	102-24522-00	18-7	109-23145-00	15-5	122-22151-00
21-15	102-24529-00	23-2	109-25104-00	15-19	122-22243-00
23-7	102-25117-00	23-1	109-25111-00	15-20	122-22244-00
23-25	102-25137-00	23-12	109-25121-01	18-16	122-23114-00
24-8	102-25315-00	23-11	109-25135-00	18-20	122-23346-01
24-7	102-25317-00	23-22	109-25136-00	19-13	122-23441-00
24-14	102-25321-00-38	23-16	109-25155-00	19-12	122-23442-02
23-15	102-25333-00	20-29	109-26341-20	19-11	122-23443-00
24-17	102-25333-00	20-31	109-26344-00	19-10	122-23451-00
24-42	102-25371-00	20-30	109-26345-00	19-8	122-23453-00
24-43	102-25373-00	16-5	109-27115-00	21-4	122-24181-00
24-44	102-25374-00	16-12	109-27216-00	21-10	122-24515-00
24-47	102-25375-00	13-15	109-81328-10	21-12	122-24521-00
24-30	102-25383-00	20-12	109-82820-10-94	21-16	122-24524-00
24-37	102-25385-01	12-13	110-81346-20	21-14	122-24531-00
24-35	102-25386-01	13-12	110-81346-20	21-13	122-24532-00
24-31	102-25387-02	12-8	110-81347-20	21-18	122-24534-00
24-29	102-25389-00	13-8	110-81347-20	21-6	122-24610-01
24-24	102-25412-00	12-4	110-81348-20	24-2	122-25304-00
11-12	102-27114-00	13-4	110-81348-20	23-13	122-25351-01
28-17	102-25323-00	4-2	116-16153-00	24-15	122-25351-01
30-26	102-82543-00	30-3	116-82150-00	24-18	122-25355-00
12-16	104-81328-20	30-4	116-82151-00	24-27	122-25441-10
30-1	104-82110-20	20-11	116-83931-00	24-27	122-25443-10
30-1	104-82110-30	8-15	117-15644-00	16-2	122-27112-00
30-5	104-82122-00	10-16	118-14116-02	16-6	122-27116-00
25-5	104-84114-00	1-19	120-15371-00	16-8	122-27413-00
1-11	109-11351-00	15-11	120-27430-02	30-27	122-82530-00
1-10	109-11361-00	15-12	120-27433-00	27-2	122-83516-10
3-7	109-11631-02-96	12-7	120-81321-20	28-3	122-84523-30
3-7	109-11631-02-98	9-3	122-14412-00	30-2	123-82112-00

# NUMERICAL INDEX

Ref No.	Parts No.	Ref No.	Parts No.	Ref No.	Parts No.
1-15	126-11171-60	8-3	132-15625-01	20-3	137-83912-01
3-3	126-11651-00	5-20	132-15653-00-10	20-5	137-83913-01
10-8	127-14123-00	5-20	132-15653-00-12	20-15	137-83913-01
10-25	127-14124-20	5-20	132-15653-00-14	20-13	137-83922-01
10-26	127-14124-20	8-13	132-15664-00	20-7	137-83941-01
10-26	127-14124-23	8-11	132-15676-00	20-10	137-83944-00
10-30	127-14125-01	2-3	132-16346-00	14-9	141-21717-00
10-27	127-14133-00	7-10	132-18113-01	23-21	141-25138-00
10-9	127-14134-00	7-2	132-18123-00	3-21	146-11545-00
10-13	127-14135-00	7-3	132-18124-00	6-6	150-18328-00
10-19	127-14136-00	7-4	132-18133-00	20-19	150-26249-00
10-18	127-14137-00	7-7	132-18137-00	25-2	150-84153-00
10-1	127-14141-10	6-16	132-18140-01	26-2	150-84153-00
10-1	127-14141-14	6-17	132-18177-00	8-6	156-15618-01
10-1	127-14141-18	24-1	132-25311-00	19-2	156-23411-00
10-2	127-14143-20	24-13	132-25364-00	19-4	156-23412-00
10-2	127-14143-22	24-23	132-25366-01	16-16	156-27237-00
10-2	127-14143-24	20-1	132-26111-01	27-7	156-83525-00
10-2	127-14143-28	20-29	132-26341-10	2-5	164-15415-00
10-2	127-14143-30	14-8	136-21713-00	3-14	164-16119-00
10-2	127-14143-32	14-12	136-21713-00	4-12	164-16119-00
10-2	127-14143-34	19-7	136-23415-00	6-12	164-18561-00
10-24	127-14161-00	20-17	136-26241-00	19-1	164-23462-00
10-12	127-14171-00	30-25	136-82540-00	30-6	164-82131-00
21-9	127-24500-00	30-31	136-82598-00	12-17	165-81145-21
21-17	127-24535-00	10-27	137-14133-00	13-16	165-81145-21
24-36	127-25388-00	10-33	137-14197-00	12-6	166-81332-20
28-5	127-84524-30	5-21	137-15463-00	10-29	167-14119-00
23-28	128-25183-00	4-9	137-16333-00	10-28	167-14121-00
20-21	128-26278-00	4-8	137-16337-01	14-19	169-23480-10
2-23	129-15489-10	4-10	137-16356-00	20-26	169-26251-00
4-5	131-16321-00	3-15	137-16377-00	25-13	173-84313-00
3-9	132-11634-00	4-11	137-16377-00	26-15	173-84313-00
11-3	132-14613-00	20-18	137-26242-60	6-10	174-18544-00
1-17	132-15351-00	20-20	137-26243-60	14-2	180-21483-00
1-18	132-15353-00	20-28	137-26331-11	15-6	180-22117-00
8-4	132-15616-01	20-8	137-26331-30	16-11	180-27231-00
8-5	132-15617-00	20-2	137-82710-10-94	16-15	180-27236-00

# NUMERICAL INDEX

Ref No.	Parts No.	Ref No.	Parts No.	Ref No.	Parts No.
19- 6	183-23411-00	13- 7	207-81321-10	5- 7	257-15389-00
19- 5	183-23412-00	13-11	207-81326-10	2- 1	257-15410-01
20- 1	183-26111-20	13-14	207-81331-10	2-18	257-15413-00
29- 5	183-83312-70	14-11	209-21724-00	2-10	257-15417-01
29- 4	183-83313-70	18-13	209-23122-40	2-24	257-15433-00
29- 6	183-83333-71	18-12	209-23142-40	2-19	257-15463-00
29-16	183-83333-71	18- 6	209-23150-40	8- 0-1	257-15610-01-91
19- 9	185-23435-00-98	3-18	214-11557-01	8- 1	257-15611-00
13- 2	185-81312-10	28-18	214-21633-00	5-22	257-15651-01
13- 3	185-81313-10	28-19	214-21717-00	8-18	257-15668-00
13- 6	185-81332-10	27- 6	214-83524-00	3-13	257-16111-00
13- 1	185-81350-10	28-11	214-84553-01	4- 1	257-16150-01
17-17	185-83319-00	15- 1	220-22110-00-33	4-13	257-16181-01
18-25	185-83319-00	15-15	220-22242-00	4- 0-1	257-16301-01
25- 3	195-84315-01	15-16	220-22251-00	4- 6	257-16324-00
25- 4	195-84320-00	30-11	220-81975-00	4-20	257-16341-00
25- 7	195-84324-00	27- 4	237-83523-00	4-17	257-16342-01
25- 8	195-84325-00	25- 6	241-84312-00	4-22	257-16343-00
26- 9	195-84325-00	25- 1	241-84330-00-16	2- 2	257-16345-00
18-11	196-23191-40	26- 1	241-84330-00-16	4- 7	257-16351-00
5-23	201-15653-00	25- 1	241-84330-00-M3	4-16	257-16357-00
16-17	206-27238-00	26- 1	241-84330-00-M3	4- 4	257-16371-00
15-13	206-27436-00	25- 1	241-84330-00-R1	5- 4	257-17121-00
18-17	207-23112-00	26- 1	241-84330-00-R1	5- 2	257-17131-01
18-15	207-23116-01	4-23	254-15631-00	5- 5	257-17141-00
18- 9	207-23117-00	1-14	257-11111-01	5-17	257-17211-00
18- 9	207-23117-00	1-12	257-11311-00	5-18	257-17219-00
18- 4	207-23124-01	3- 0-1	257-11400-01	5-14	257-17221-01
18- 4	207-23134-01	3- 1	257-11412-01	5-16	257-17231-00
18-10	207-23141-10	3- 2	257-11422-00	5-12	257-17241-00
18- 3	207-23147-00	3- 5	257-11681-00	5-13	257-17258-00
18-14	207-23163-00	10-17	257-14112-10	5- 1	257-17411-01
24-25	207-25411-00	10-32	257-14197-00	5- 3	257-17414-00
20-32	207-26391-00	9- 1	257-14401-00-35	5-15	257-17414-00
16- 1	207-27111-00	9- 8	257-14417-00	5-11	257-17421-01
14-18	207-28100-10	9- 2	257-14451-00	5-28	257-17461-10
12- 2	207-81312-20	9- 6	257-14454-00	5-28	257-17461-20
12- 3	207-81313-20	1- 1	257-15111-01	5-28	257-17461-30

# NUMERICAL INDEX

Ref No.	Parts No.	Ref No.	Parts No.	Ref No.	Parts No.
5-26	257-17462-00	18- 1	260-23126-40-35	8-12	304-15665-00
5-30	257-17463-00	18-23	260-23131-40-16	8-16	305-15641-00
5-29	257-17464-00	18-23	260-23131-40-M3	8- 8	305-15660-02
5- 9	257-17471-01	18-23	260-23131-40-R1	29-14	306-83313-40
7- 1	257-18101-01	18- 2	260-23136-40-35	29-15	306-83332-40
7- 9	257-18111-00	18-21	260-23318-40	29- 3	308-83311-30
6- 3	257-18512-01	18-19	260-23340-30-33	29-13	308-83311-30
6-19	257-18531-00	18-19	260-23340-40-33	28- 7	308-84135-21
6- 1	257-18534-00	20-28	260-26331-00	9-16	314-13613-00
6- 7	257-18541-61	20-27	260-26335-00	9-15	314-13616-01
6- 4	257-18552-00	20-27	260-26335-10	2-17	315-15362-01
6-15	257-18589-00	20-27	260-26335-20	8-17	315-15687-00
16- 3	257-27211-00	20-29	260-26341-00	23-14	326-25330-10
12- 0-1	257-81300-21	16- 7	260-27411-00	24-16	326-25330-10
12- 1	257-81350-21	13- 0-1	260-81300-10	5-28	347-17451-90
6- 2	259-18511-01	30-36	260-83350-30	5-26	347-17462-00
3-10	260-11601-00	30-33	260-83371-11	5-20	347-17463-00
3-10	260-11601-10	27- 1	260-83510-11	5-29	347-17464-00
3-10	260-11601-20	27- 8	260-83520-11	10-16	348-14116-03
10-14	260-14114-00	27- 8	260-83550-00	11- 1	348-14611-00
10-20	260-14131-00	25- 0-1	260-84110-00	11- 5	348-14753-20
10-10	260-14142-25	26- 5	260-84114-40	10-16	353-14116-02
10-21	260-14158-01	28- 2	260-84514-40	23-30	353-25182-00
10- 6	260-14181-00	20-34	266-26290-00	24-38	353-25182-00
10- 4	260-14184-00	20-33	266-26290-10	30-10	353-81970-20
10- 3	260-14185-00	10-17	283-14112-25	30-10	353-81970-60
10-11	260-14190-12	10-14	283-14114-00	29- 1	353-83311-30-93
17- 1	260-21510-00-93	9- 7	283-14453-00	29- 7	353-83316-30
15-14	260-22210-40-16	14-14	283-21717-00	29- 2	353-83320-30-93
15-14	260-22210-40-M3	24-27	283-25444-10	29- 8	353-83326-30
15-14	260-22210-40-R1	20- 1	283-26111-00	29-11	353-83330-30-93
15- 7	260-22311-00-35	2-22	288-14455-00	29-12	353-83340-30-93
18- 0-1	260-23101-11-35	2-21	288-14481-01	14- 1	355-21110-00-33
18- 0-1	260-23101-31-35	17-10	288-83319-00	30-16	355-81973-00
18-18	260-23111-40	26- 3	290-84115-21	30-20	355-82310-30
18-22	260-23121-40-16	26- 8	290-84124-21	30-20	355-82310-40
18-22	260-23121-40-M3	12-11	296-81325-20	24-28	357-25381-00
18-22	260-23121-40-R1	1-20	304-15373-00	28- 4	375-84521-40

# NUMERICAL INDEX

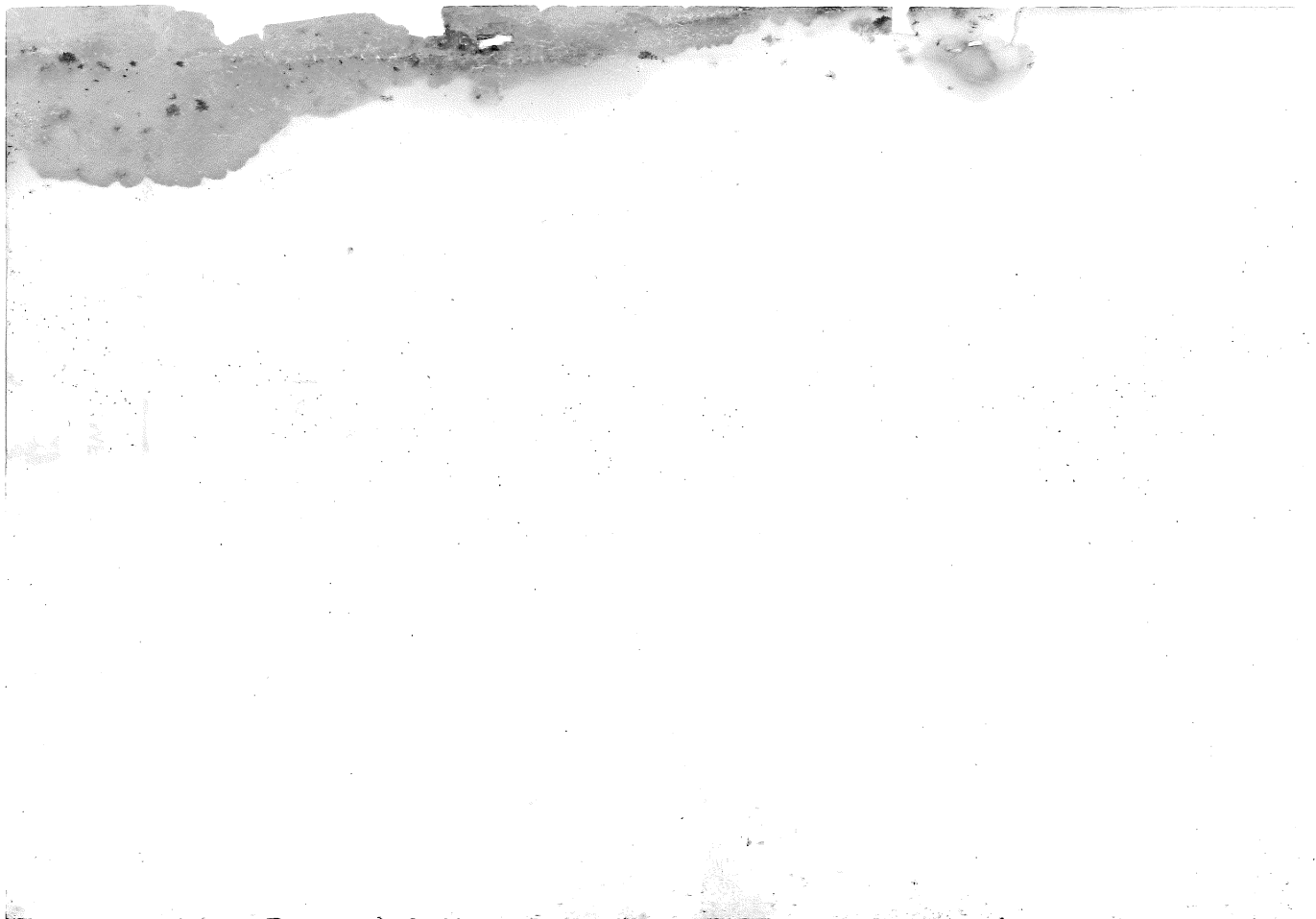
Ref No.	Parts No.	Ref No.	Parts No.	Ref No.	Parts No.
1-13	378-11181-60	22- 1	467-24730-00	24-49	91401-20012
1-12	378-11311-60	22- 1-1	467-24731-00	23-31	91401-20020
9-20	378-13555-60	30- 7	467-82508-21	24-52	91401-20020
9-14	378-13610-60	27- 5	467-83519-00-98	14-13	91401-50075
9-19	378-13621-60	10- 0-1	468-14101-60	2- 4	91810-02014
11- 4	378-14710-01	28- 0-1	468-84510-40	2-13	91810-02014
1- 2	378-15121-60	28- 1	468-84511-40	1- 3	91810-05016
1-22	378-15359-60	30-30	469-82590-20	20-22	92501-06008
2-11	378-15421-60	9-20	470-13555-60	30-12	92501-06010
2-12	378-15451-60	10- 0-1	470-14101-00	30-34	92501-06010
3-12	378-16136-60	9-20	471-13555-60	5-10	92501-06012
1-13	381-11181-60	17- 5	471-21610-00-93	17-13	92501-06012
1-12	381-11311-60	17-12	471-21623-00	30-37	92501-06012
10- 0-1	381-14101-60	30-32	471-82531-00	1-23	92501-06015
11- 4	381-14710-00	14- 1	473-21110-00-33	9-21	92501-06015
26-10	381-84154-90	26- 0-1	473-84103-40	9-22	92501-06015
14-10	394-21721-00-16	26- 6	473-84112-40	10- 7	92501-06018
14-10	394-21721-00-M3	26- 4	473-84120-40	2-20	92501-06018
14-10	394-21721-00-R1	12-12	802-81331-20	1- 4	92501-06030
20-25	394-26311-00	30-23	808-82370-10	2-14	92501-06030
20-25	394-26311-10	28-13	90201-06059	2- 8	92501-06040
20-25	394-26311-20	23-29	90201-10123	2-15	92501-06040
28- 6	420-84551-40-35	28-12	90387-06241	1- 5	92501-06045
28- 6	420-84551-50-35	21- 7	90445-09114	2- 7	92501-06045
17-11	441-21521-00	6-18	90506-09112	1- 6	92501-06050
23-27	451-25181-01	8- 7	91101-06020	2- 9	92501-06050
14- 6	467-21711-00-16	20- 8	91103-06008	1- 9	92501-06055
14- 6	467-21711-00-M3	29-17	91203-06030	1- 7	92501-06060
14- 6	467-21711-00-R1	19-14	91114-06035	1- 8	92501-06065
14-16	467-21786-00	17- 8	91201-06015	28- 7	92803-06700
14-17	467-21787-00	7-11	91201-06020	15-17	92804-10700
19-19	467-23480-00	28-10	91201-06020	9-18	92901-03100
21- 1	467-24110-00-01	28-16	91201-06020	10-22	92901-04100
21- 1	467-24110-00-02	23-17	91201-06030	12- 5	92901-04100
21- 1	467-24110-00-03	24-19	91201-06030	12- 9	92901-04100
21- 5	467-24184-00	9- 4	91201-06187	12-14	92901-04100
21- 2	467-24244-00	10-15	91401-12010	12-18	92901-04100
21- 3	467-24245-00	16-13	91401-20012	13- 5	92901-04100

# NUMERICAL INDEX

Ref. No.	Parts No.	Ref. No.	Parts No.	Ref. No.	Parts No.
13-9	92901-04100	25-11	92901-08100	3-4	93310-41810
13-13	92901-04100	26-3	92901-08100	5-6	93410-13004
13-17	92901-04100	29-9	92901-08100	5-19	93410-13004
12-10	92901-04200	22-3	92901-08200	5-24	93410-13004
12-15	92901-04200	22-4	92901-08200	8-10	93410-15005
13-10	92901-04200	24-48	92901-08200	8-14	93410-25017
6-14	92901-05100	19-17	92901-10100	24-33	93420-42007
11-7	92901-05100	19-18	92901-10200	6-11	93430-03014
15-10	92901-05100	3-19	92901-12100	6-5	93430-08006
30-9	92901-05100	28-8	92903-06100	7-8	93430-10016
30-18	92901-05100	29-19	92903-06100	16-4	93430-12008
30-29	92901-05100	28-9	92903-06200	6-8	93440-32017
19-15	92901-06100	29-18	92903-06200	4-19	93501-04011
20-23	92901-06100	25-10	92903-08200	19-3	93501-04011
23-19	92901-06100	26-12	92903-08200	4-15	93503-16003
24-21	92901-06100	7-6	93101-12004	6-9	93604-22050
24-40	92901-06100	3-17	93102-20009	6-20	93605-20043
28-14	92901-06100	5-27	93102-25017	23-26	93700-06001
30-13	92901-06100	1-21	93103-25078	23-4	94122-17008
30-22	92901-06100	23-23	93104-07003	24-4	94125-17012
30-35	92901-06100	24-10	93104-21016	23-5	94222-17003
30-38	92901-06100	23-9	93106-20001	24-5	94225-17005
16-14	92901-06200	24-34	93106-30004	23-6	94322-17002
17-9	92901-06200	23-10	93107-42001	24-6	94325-17004
17-14	92901-06200	4-18	93108-15001	23-3	94412-17003
20-24	92901-06200	8-9	93109-15001	24-3	94414-17005
23-20	92901-06200	23-24	93210-14104	24-50	94504-20106
24-41	92901-06200	24-12	93210-41041	24-51	94604-20001
1-16	92901-06200	10-5	93220-08002	30-24	94701-00039
20-9	92901-06200	24-32	93306-00406	9-11	97101-08080
24-22	92901-06200	23-8	93306-20204	9-10	97101-08095
9-13	92901-08100	5-8	93306-20303	14-3	97101-08120
11-9	92901-08100	24-9	93306-30103	17-2	97201-08012
14-5	92901-08100	24-11	93306-30103	16-9	97201-08015
16-10	92901-08100	3-11	93306-30302	17-6	97201-08015
17-3	92901-08100	5-25	93306-30305	22-2	97201-08015
17-7	92901-08100	3-16	93306-20412	26-11	97203-08018
24-46	92901-08100	3-6	93310-11268	25-9	97203-08018

# NUMERICAL INDEX

Ref No.	Parts No.	Ref No.	Parts No.	Ref No.	Parts No.
2-6	98501-04006	15-4	98801-10100		
9-9	98501-04008	19-16	98801-10100		
10-23	98501-04010	3-20	98801-12200		
15-8	98501-05008	29-20	98803-06200		
30-28	98501-05010	9-5	98803-06700		
6-13	98501-05012	28-20	98803-06700		
30-8	98501-05012	29-10	98803-08300		
15-9	98501-05020				
30-15	98501-05025				
20-4	98503-05025				
20-14	98503-05025				
9-17	98512-03008				
19-20	98601-05012				
13-18	98701-05015				
12-19	98701-05015				
10-31	98801-05100				
20-6	98801-05100				
20-16	98801-05100				
11-6	98801-05200				
30-17	98801-05200				
30-19	98801-05200				
23-18	98801-06100				
24-20	98801-06100				
24-39	98801-06100				
28-15	98801-06100				
17-15	98801-06200				
30-14	98801-06200				
30-21	98801-06200				
4-21	98801-06300				
9-12	98801-08100				
14-4	98801-08100				
22-5	98801-08100				
7-5	98801-08200				
11-8	98801-08200				
24-26	98801-08200				
24-45	98801-08300				
25-12	98801-08300				
26-14	98801-08300				









**YAMAHA MOTOR CO., LTD.**

**PRINTED IN JAPAN**

**First edition Dec., 1973**

**(471.28198-E5)**